



# ONE BOLT ELECTRICAL PIPE CLAMP

ELECTRICAL CONTRACTORS | FIRE PROTECTION INDUSTRY | MECHANICAL CONTRACTORS  
HVAC/R CONTRACTORS | PLUMBING CONTRACTORS

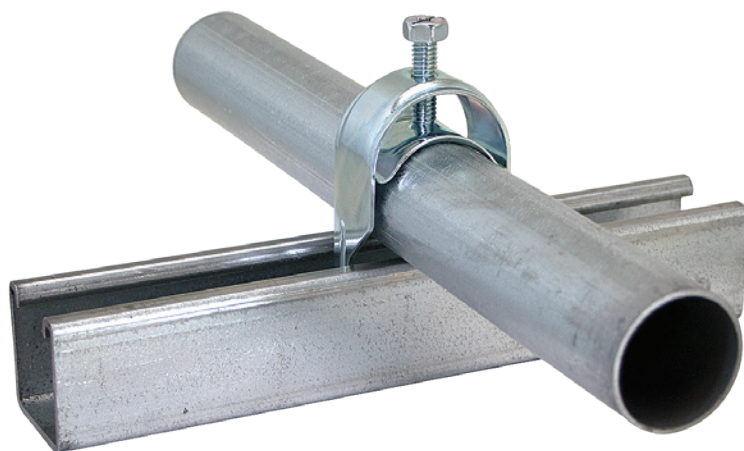


## Saves Time

- One Complete Unit – No Loose Components
- Hooks Quickly and Easily into Channel
- Beveled Edges Prevent Pipe Damage when Tightened

## Reduces Labor Costs

- Electro-Galvanized Finish
- Compatible with Phillips & Flat Head Screwdrivers
- Electrical Conduit Applications



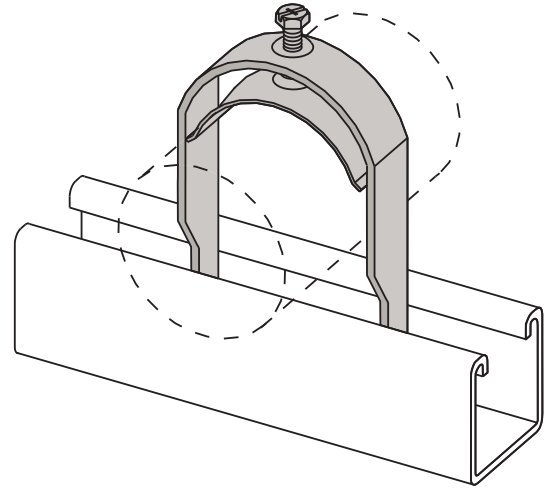
ZSIINC.COM | 800-323-7053

ZSi & Wesanco are part of the Ideal Tridon Group. Learn more at [idealtridongroup.com](http://idealtridongroup.com)



Electrical Contractors | Fire Protection Industry  
 Mechanical Contractors | HVAC/R Contractors | Plumbing Contractors

| Part No. | EMT Size      | Rigid Conduit Size | Design Load      |
|----------|---------------|--------------------|------------------|
| BMU050   | 1/2" (13mm)   | --                 | 200<br>(0.89 kN) |
| BMU075   | 3/4" (19mm)   | 1/2" (13mm)        |                  |
| BMU100   | 1" (25mm)     | 3/4" (19mm)        | 300<br>(1.33 kN) |
| BMU125   | 1 1/4" (32mm) | 1" (25mm)          |                  |
| BMU150   | 1 1/2" (38mm) | 1 1/4" (32mm)      | 400<br>(1.78 kN) |
| BMU200   | 2" (51mm)     | 1 1/2" (38mm)      |                  |
| BMU250   | 2 1/2" (64mm) | 2 1/2" (64mm)      |                  |
| BMU300   | 3" (76mm)     | 3" (76mm)          |                  |
| BMU350   | 3 1/2" (89mm) | 3 1/2" (89mm)      |                  |
| BMU400   | 4" (102mm)    | 4" (102mm)         |                  |



**Solutions for Electrical Contractors**

