

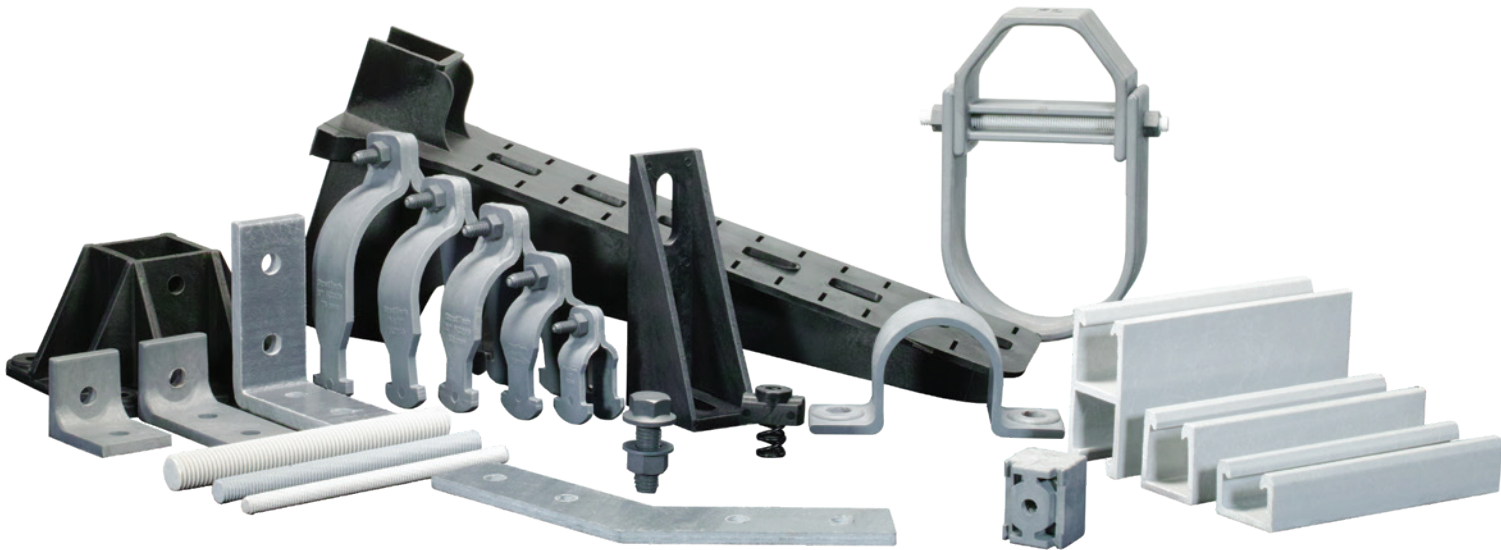


WESANCO

ZSI

FIBERGLASS FRAMING SYSTEM

DURABILITY FOR CORROSION RESISTANCE IN CHALLENGING ENVIRONMENTS



FIBERGLASS SUPPORT SYSTEMS ENGINEERING CATALOG

ZSIINC.COM

ZSI-F1



Wesanco Fiberglass offers the many features and benefits:

- Interchangeable with Industry Standard Channel Systems
- Light Weight & Fire retardant
- Easy to cut and fabricate
- Cost competitive
- Corrosion Resistant
- Complete line of corrosion-resistant fiberglass components
- Easy to field cut and drill



Products

We offer a complete line of corrosion resistant pipe hangers, clevis hangers, angle brackets, splice plates, base plates and fasteners typically found in common pipe/conduit support systems.



Industries

Channel framing can be used in various industries:

- Aquaculture
- Aquariums
- Bio Tech Industry
- Bridge Utility Structures
- Chemical Plants
- Commercial Refrigeration
- Data Centers
- Electrical Applications
- Electronics Industry
- Food Processing
- Greenhouses
- Marinas
- Metal Processing
- Metal Plating Facilities
- MRI Rooms
- Oil Refineries
- Server Farm Industry
- Sewage Treatment Plants
- Shipbuilding
- Underground Vaults
- Water Rides
- Water Treatment
- Water Desalination

Services

We have engineering assistance available and offer custom fabrication to solve you toughest support problems!.



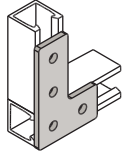
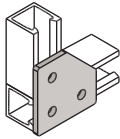
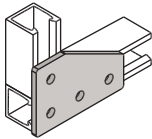
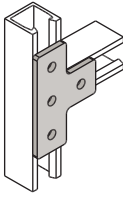
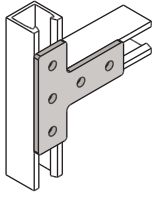
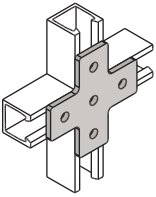
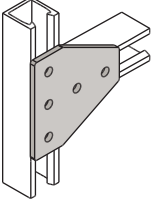
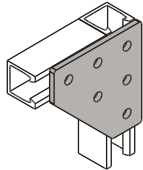
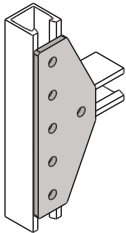
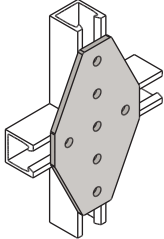
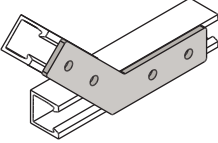
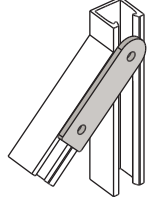
Pictorial Table of Contents

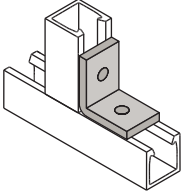
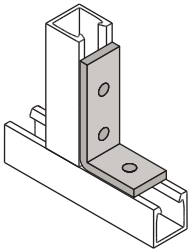
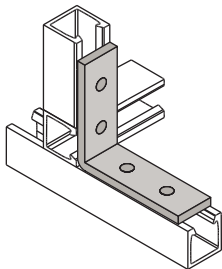
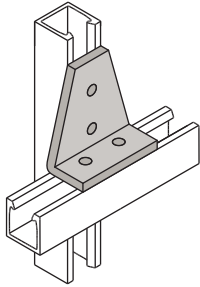
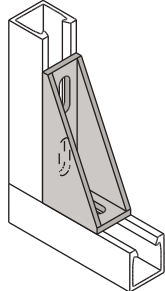
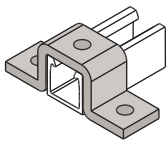


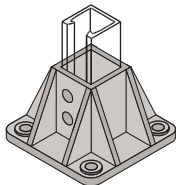
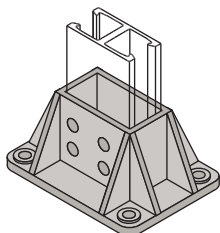
Fiberglass Channel			
1 ⁵ / ₈ " x 1 ⁵ / ₈ " (41 x 41mm) Solid & Slotted Channel	1 ⁵ / ₈ " x 3 ¹ / ₄ " (41 x 83mm) Solid & Slotted Channel	1 ⁵ / ₈ " x 1 ¹ / ₈ " (41 x 29mm) Solid & Slotted Channel	1 ⁵ / ₈ " x 2 ¹ / ₄ " (41 x 57mm) Solid & Slotted Channel
Pages 8 - 9		Pages 10 - 11	

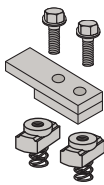
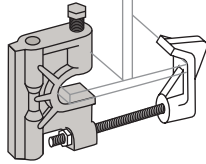
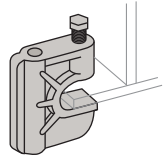
Fiberglass Channel Nuts and Hardware					
Channel Nuts	Channel Nuts	Stop-Lock Kit	Channel Space	Spring Nut Hex Bolts	Flanged Hex Bolts
Page 12	Page 12	Page 12	Page 12	Page 13	Page 13
Standard Duty Polyurethane Nuts	Heavy Duty Flanged Hex Nuts	Washers	Fender Washers	Threaded Rod	Threaded Rod Couplers
Page 14	Page 14	Page 14	Page 14	Page 14	Page 14

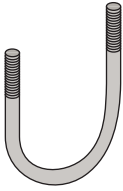
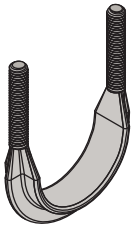
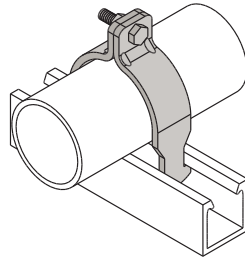
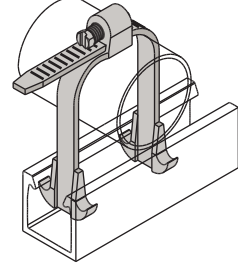
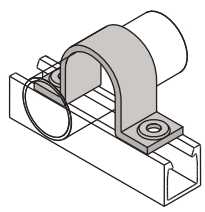
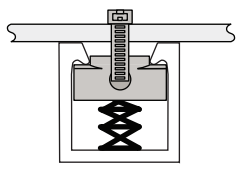
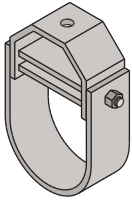
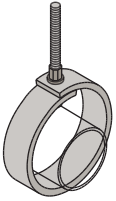
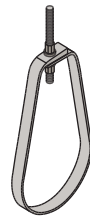
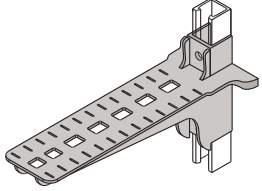
Fiberglass Flat Plate Fittings					
One Hole Washer	Two Hole Splice	Three Hole Splice	Four Hole Splice	Five Hole Splice	Three Hole Corner
Page 15	Page 15	Page 15	Page 16	Page 16	Page 16

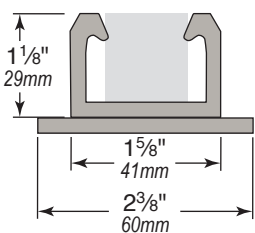
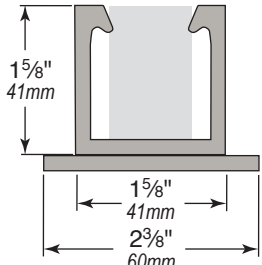
Fiberglass Flat Plate Fittings (Cont.)					
Four Hole Corner	Three Hole Corner Gusset	Four Hole Corner Gusset	Four Hole Tee	Five Hole Tee	Five Hole Cross
					
Page 16	Page 17	Page 17	Page 17	Page 17	Page 18
Five Hole Tee Gusset	Five Hole Corner Gusset	Six Hole Tee Gusset	Seven Hole Cross Gusset	Four Hole 45° Angle	Two Hole Swivel Plate
					
Page 18	Page 18	Page 18	Page 19	Page 19	Page 19

Fiberglass Angle & "U" Shape Fittings					
Two Hole 90° Angle	Three Hole 90° Angle	Four Hole 90° Angle	Four Hole Self 90° Angle	Universal 90° Angle	Three Hole "U" Shape Support
					
Page 20	Page 20	Page 20	Page 21	Page 21	Page 21

Post Bases	
Single Post Base	Double Post Base
	
Page 22	Page 22

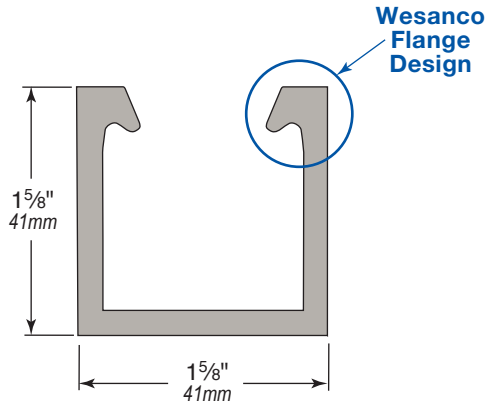
Beam Clips and Clamps		
Beam Clips	Large Beam Clamp	Small Beam Clamp
		
Page 23	Page 24	Page 24

Cable, Pipe & Tube Clamps & Supports				
Standard U-Bolts	Standard U-Bolts	Rigid Pipe Clamps	Adjustable Pipe Clamps	Two Hole Pipe Straps
				
Page 25	Page 26	Page 27	Page 28	Page 29
Adjustable Tubing Clamps	Clevis Hanger	SuperHanger™	SuperLoop™	Rack Arms
				
Page 29	Page 30	Page 31	Page 32	Page 33

Concrete Inserts	
1-5/8" x 1-1/8" Concrete Insert	1-5/8" x 1-5/8" Concrete Insert
 <p>1-1/8" 29mm</p> <p>1-5/8" 41mm</p> <p>2-3/8" 60mm</p>	 <p>1-5/8" 41mm</p> <p>1-5/8" 41mm</p> <p>2-3/8" 60mm</p>
Page 34	Page 34

Chemical Resistance Chart	35 - 37
Warranty	37
Specifications	38
Index	39
Contact Information	Back Cover





All Wesanco fiberglass strut channel profiles incorporate a superior flange design that provides for a reliably strong fastening and attachment method of Wesanco components and accessories.

Strut Channels are provided in standard 10' lengths with longer lengths being available upon request.

Wesanco fiberglass strut channel profiles will not only work with standard Wesanco Fiberglass components and accessories but will also work with standard Steel or Stainless Strut Clamps from the Wesanco Brand as well as many other Industry Standard Brands. Because of this unique profile design, the industry standard fiberglass strut profile known as the SST profile is not needed as with most other brands of Fiberglass Strut and Accessories that have to provide both for those users that prefer standard steel or stainless-steel strut straps to be used in their application.

Wesanco strut channels are available in two materials:

- Polyester (PF material) - Gray
- Vinyl Ester (VF material) - Beige

Polyester and Vinyl Ester Resins

Polyester and vinyl ester strut channels are manufactured by utilizing the pultrusion process shown below. In this process, the components are made by utilizing a reinforcing polymer resin that can be either polyester or vinyl ester that is combined with multiple strands of glass filaments along with alternating layers of glass mat and U.V. resistant surfacing veils. The combined glass is pulled through the liquid resin, which permeates all the fibers. The combination of glass, resin, mats, and veil is then continuously pultruded (pulled) through a heated die that has been shaped to create the dimensions of the strut channel profile being manufactured.

The resin and glass components are cured together in the die to form a permanent pultruded strut channel profile that can be fabricated or cut to different lengths that may be needed. Since the fully cured fiberglass pultruded strut channel profile is reinforced with an internal assortment of permanently bonded continuous glass fibers, mats, and external veils it possesses great strength.

Wesanco pultruded fiberglass strut channels have exceptional corrosion and fire resistance. These characteristics of fiberglass materials make it the choice for many harsh industrial applications.

Wesanco polyester and vinyl ester strut channels are color coded. Polyester channels are colored gray and the vinyl ester channels are colored beige giving you the assurance you have the correct product for your application.



Fiberglass channels are produced in two resins, Polyester (PF) and Vinyl Ester (VF), that contain continuous glass fibers. This provides excellent strength characteristics and thermal properties.

All pultruded channels are produced with U.V. resistant surface veils. These materials are Class 1 Fire Rated per ASTM E-84. Refer to the Corrosion Resistance Guide for your specific application.

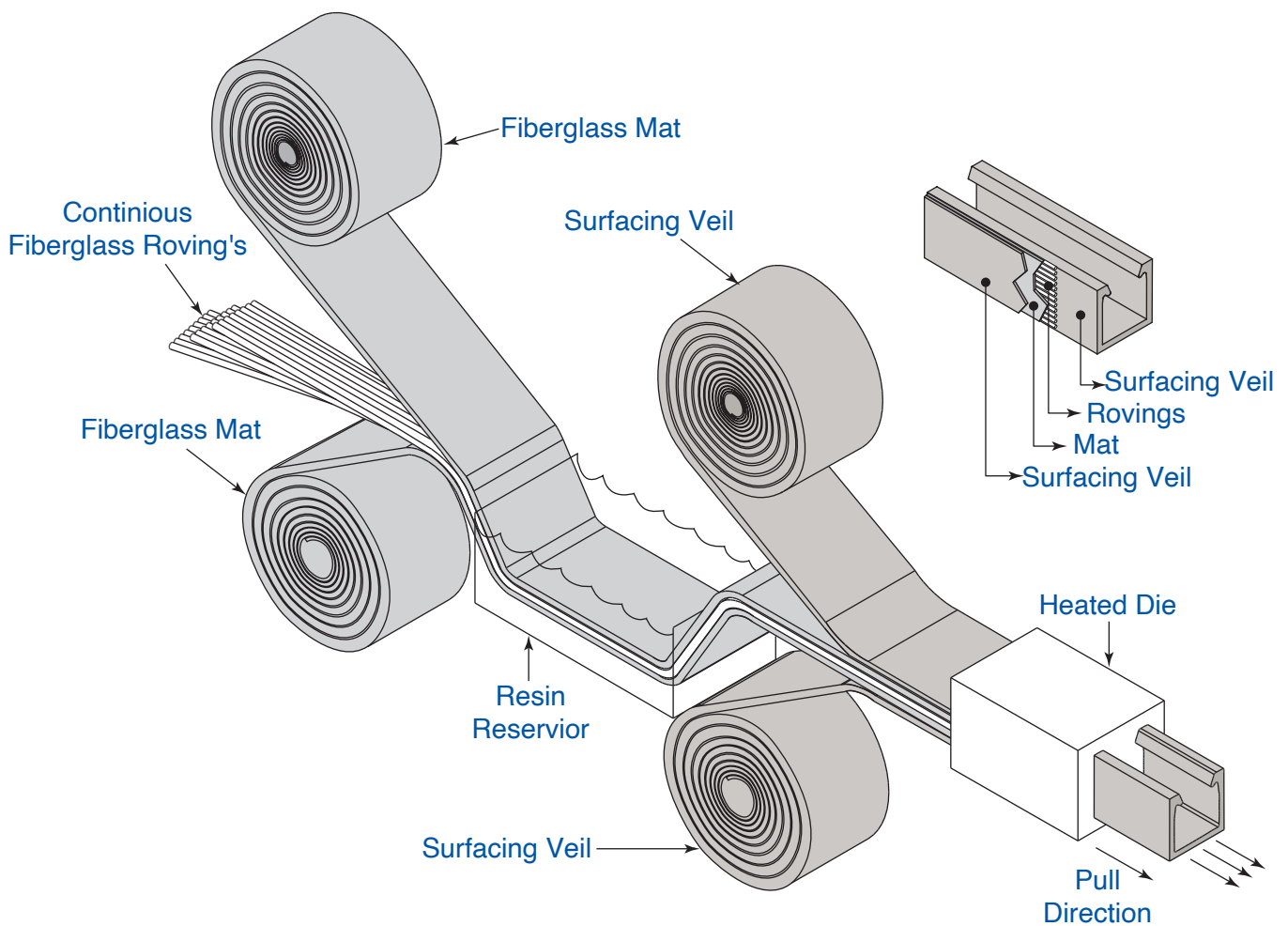
Polyester:

- General Purpose
- Good Corrosion Resistance for most applications
- Temperature Range - 30°F to +150°F (-34°C to 66°C)
- Standard Color Gray

Vinyl Ester:

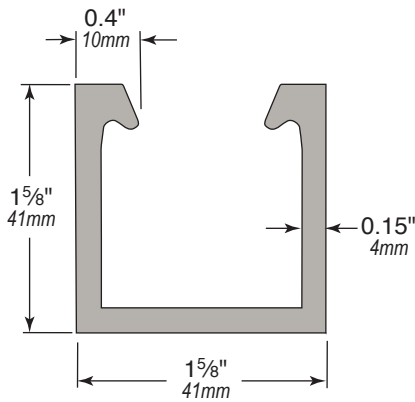
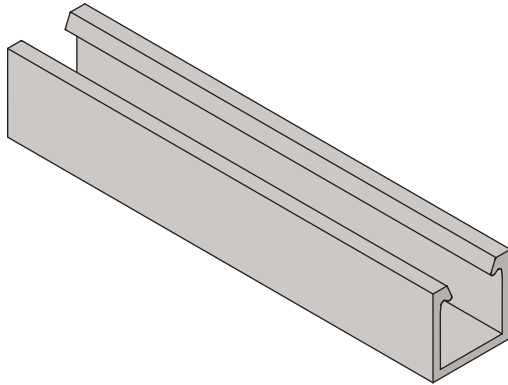
- Premium Grade
- Excellent Corrosion Resistance
- Temperature Range - 35°F to +200°F (-37°C to 93°C)
- Standard Color Beige

PULTRUSION PROCESS



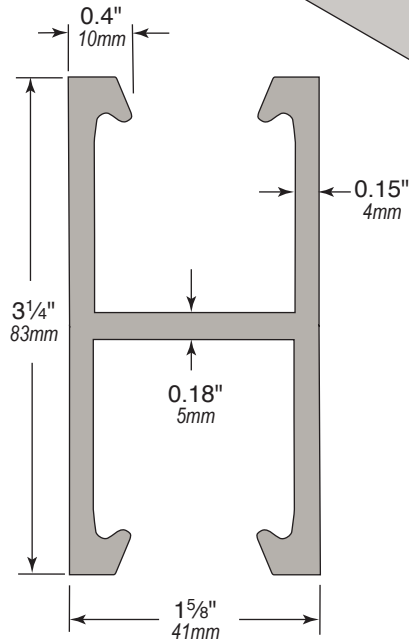
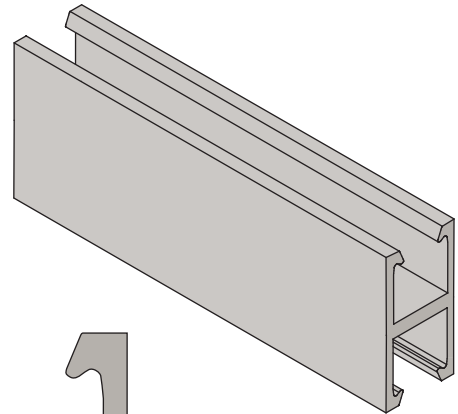
Standard: Polyester (PF) or Vinyl Ester (VF)

W200PF 1-5/8" x 1-5/8" Solid Channel



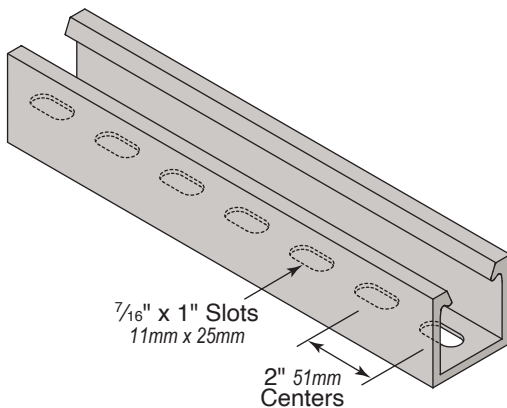
Part No.	Material
W200PF	Polyester Fire Rated Fiberglass
W200VF	Vinyl Ester Fire Rated Fiberglass

W201PF 1-5/8" x 3-1/4" Solid Back-to-Back Channel



Part No.	Material
W201PF	Polyester Fire Rated Fiberglass
W201VF	Vinyl Ester Fire Rated Fiberglass

W200EHPF 1-5/8" x 1-5/8" Channel with Short Slots

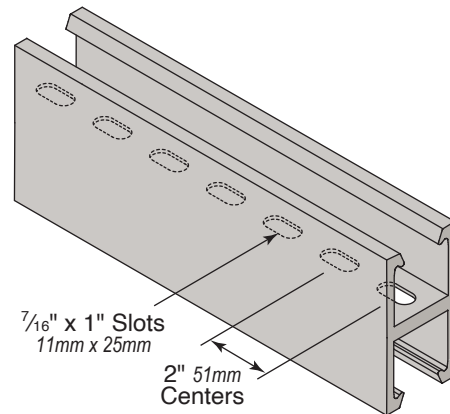


7/16" x 1" Slots
11mm x 25mm

2" 51mm
Centers

Part No.	Material
W200EHPF	Polyester Fire Rated Fiberglass
W200EHVF	Vinyl Ester Fire Rated Fiberglass

W201EHPF 1-5/8" x 3-1/4" Back-to-Back Channel with Short Slots



7/16" x 1" Slots
11mm x 25mm

2" 51mm
Centers

Part No.	Material
W201EHPF	Polyester Fire Rated Fiberglass
W201EHVF	Vinyl Ester Fire Rated Fiberglass



Channel Load Data

Elements of Sections

Part No.	Wt./Ft. Lbs. (Kg/M)	Area of Section Sq. in. (Sq. cm)	X-X Axis			Y-Y Axis		
			Ix in. ⁴ (Ix cm ⁴)	Sx in. ³ (Sx cm ³)	cx in. (cx. cm)	Iy in. ⁴ (Iy cm ⁴)	Sy in. ³ (Sy cm ³)	cy in. (cy cm)
1-5/8" x 1-5/8" (41mm x 41mm) Channel								
W200PF	0.82 (0.37)	1.06 (6.63)	0.31 (12.90)	0.54 (8.85)	0.70 (1.78)	0.42 (17.48)	0.63 (10.32)	0.82 (2.08)
1-5/8" x 3-1/4" (41mm x 83mm) Channel								
W201PF	1.64 (0.74)	2.12 (13.67)	1.77 (73.67)	0.91 (14.91)	1.63 (4.14)	0.85 (35.38)	0.63 (10.32)	0.82 (2.08)

Ultimate Design Flexural: 40,000 psi (longitudinal)
 Modulus of elasticity=E= 3,000,000 psi (longitudinal)
 Minimum Safety Factor= 3:1

1 5/8" x 1 5/8" (41mm x 41mm) Channel Beam and Column Loads

Span	Maximum Uniform Beam Load		Uniform Load at Deflection Span /360		Maximum Column Load
	Load	Deflection	Load	Deflection	
In (mm)	Lbs (kN)	In (mm)	Lbs (kN)	In (mm)	Lbs (kN)
12 (305)	3,565 (15.9)	0.1 (2.59)	1,160 (5.2)	0.03 (0.84)	5,165 (23.0)
18 (457)	2,376 (10.6)	0.23 (5.85)	516 (2.3)	0.05 (1.27)	4,709 (20.9)
24 (610)	1,783 (7.9)	0.41 (10.42)	290 (1.3)	0.07 (1.70)	4,172 (18.6)
30 (762)	1,425 (6.3)	0.64 (16.27)	185 (0.8)	0.08 (2.11)	3,557 (15.8)
36 (914)	1,188 (5.3)	0.92 (23.44)	129 (0.6)	0.10 (2.54)	2,862 (12.7)
48 (1,219)	891 (4.0)	1.64 (41.65)	72 (0.3)	0.13 (3.38)	1,638 (7.3)
60 (1,524)	713 (3.2)	2.56 (65.09)	46 (0.2)	0.17 (4.25)	1,048 (4.7)
72 (1,829)	595 (2.6)	3.69 (93.72)	32 (0.1)	0.20 (5.09)	728 (3.2)

1 5/8" x 3 1/4" (41mm x 83mm) Back-to-Back Channel Beam and Column Loads

Span	Maximum Uniform Beam Load		Uniform Load at Deflection Span /360		Maximum Column Load
	Load	Deflection	Load	Deflection	
In (mm)	Lbs (kN)	In (mm)	Lbs (kN)	In (mm)	Lbs (kN)
12 (305)	5,565 (24.8)	0.03 (0.71)	5,565 (24.8)	0.03 (0.84)	9,463 (42.1)
18 (457)	3,710 (16.5)	0.06 (1.63)	2,917 (13.0)	0.05 (1.27)	8,875 (39.5)
24 (610)	2,783 (12.4)	0.11 (2.87)	1,641 (7.3)	0.07 (1.70)	8,189 (36.4)
30 (762)	2,226 (9.9)	0.18 (4.50)	1,050 (4.7)	0.08 (2.11)	7,412 (33.0)
36 (914)	1,855 (8.3)	0.25 (6.46)	731 (3.3)	0.1 (2.54)	6,457 (28.7)
48 (1,219)	1,391 (6.2)	0.45 (11.49)	410 (1.8)	0.13 (3.38)	4,539 (20.2)
60 (1,524)	1,113 (5.0)	0.71 (17.98)	262 (1.2)	0.17 (4.25)	2,905 (12.9)
72 (1,829)	928 (4.1)	1.02 (25.88)	182 (0.8)	0.2 (5.09)	2,017 (9.0)

Published design loads are based on usage at 70°F. (21°C)
 All beams should be supported in a manner that prevents rotation at supports.
 Long, deep beams should be tied between supports to prevent twist
For concentrated loads: Reduce allowable loads by 50% and reduce deflections by 25%.

***Maximum loads** are based on full lateral support of the channel, rotation prevention at the support points and the design safety factor of 3:1

****Load exceeds** maximum allowable stress for 3:1 safety factor.

*****For Beam Spans** over 36" with loads approaching these maximum design limits, please contact the manufacturer's technical representative to confirm support configuration and lateral stability.

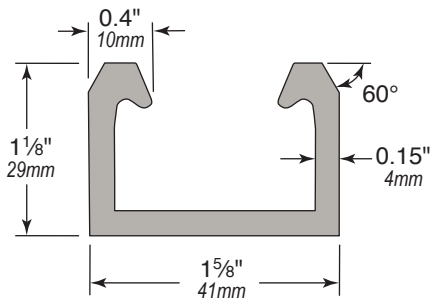
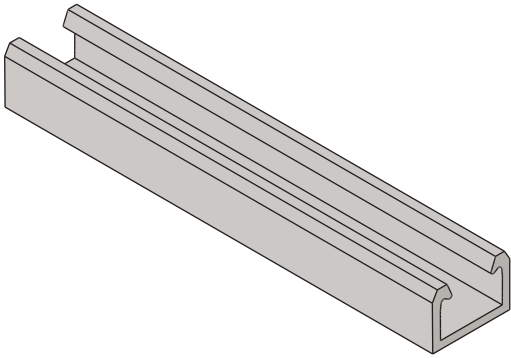
Column Loads:

Table lists the total allowable concentric axial load for various unsupported column heights based on a minimum safety factor of 3:1. Eccentric loads should be reduced according to standard practice. ***With column top and bottom pin connected n=1 and loads in table may increase by 3x.



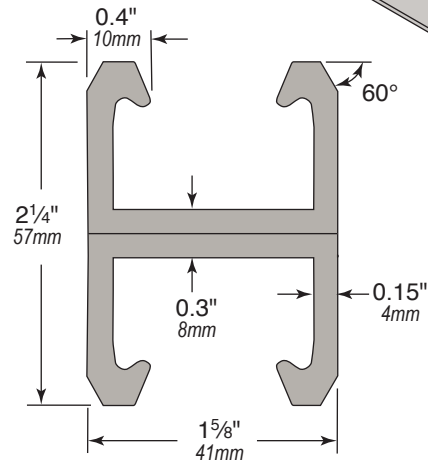
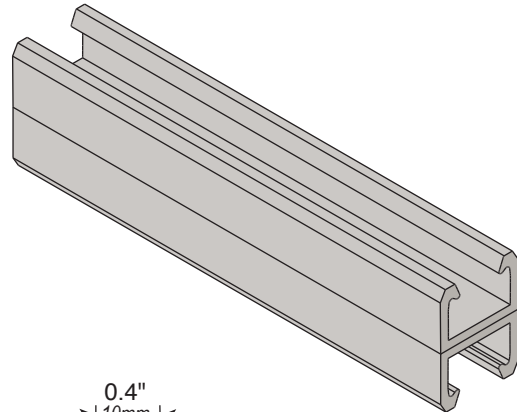
Standard: Polyester (PF) or Vinyl Ester (VF)

W800PF 1-5/8" x 1-1/8" Solid Channel



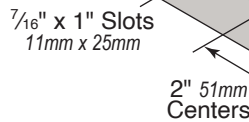
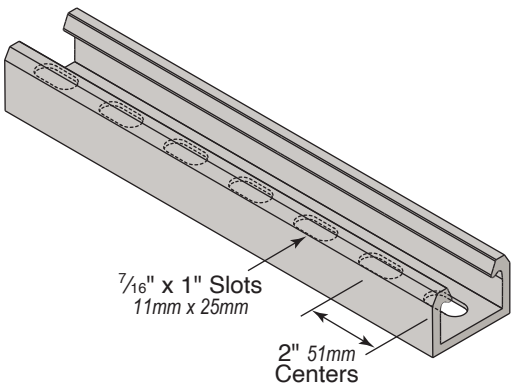
Part No.	Material
W800PF	Polyester Fire Rated Fiberglass
W800VF	Vinyl Ester Fire Rated Fiberglass

W801PF 1-5/8" x 2-1/4" Solid Back-to-Back Channel



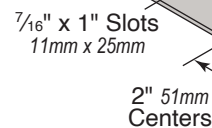
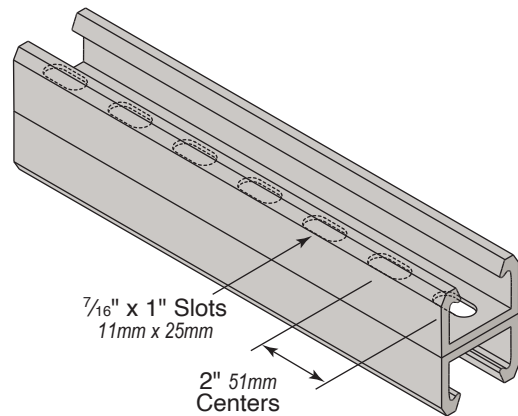
Part No.	Material
W801PF	Polyester Fire Rated Fiberglass
W801VF	Vinyl Ester Fire Rated Fiberglass

W800EHPF 1-5/8" x 1-1/8" Channel with Short Slots



Part No.	Material
W800EHPF	Polyester Fire Rated Fiberglass
W800EHVF	Vinyl Ester Fire Rated Fiberglass

W801EHPF 1-5/8" x 2-1/4" Back-to-Back Channel with Short Slots



Part No.	Material
W801EHPF	Polyester Fire Rated Fiberglass
W801EHVF	Vinyl Ester Fire Rated Fiberglass



Channel Load Data

Elements of Sections

Part No.	Wt./Ft. Lbs. (Kg/M)	Area of Section Sq. in. (Sq. cm)	X-X Axis			Y-Y Axis		
			Ix in. ⁴ (Ix cm ⁴)	Sx in. ³ (Sx cm ³)	cx. in. (cx. cm)	Iy in. ⁴ (Iy cm ⁴)	Sy in. ³ (Sy cm ³)	cy in. (cy cm)
1-5/8" x 1-1/8" (41mm x 29mm) Channel								
W800PF	0.47 (0.21)	0.61 (3.94)	0.10 (4.16)	0.40 (6.56)	0.51 (1.30)	0.22 (9.16)	0.60 (9.83)	0.75 (1.91)
1-5/8" x 2-1/4" (41mm x 57mm) Back to Back Channel								
W801PF	0.94 (1.61)	1.22 (7.87)	0.42 (17.48)	0.59 (9.67)	1.13 (2.87)	0.44 (18.31)	0.60 (9.83)	0.75 (1.91)

Ultimate Design Flexural: 40,000 psi (longitudinal)
 Modulus of elasticity=E= 3,000,000 psi (longitudinal)
 Minimum Safety Factor= 3:1

1 5/8" x 1 1/8" (41mm x 29mm) Channel Beam and Column Loads

Span	Maximum Uniform Beam Load		Uniform Load at Deflection Span /360		Maximum Column Load
	Load	Deflection	Load	Deflection	
In (mm)	Lbs (kN)	In (mm)	Lbs (kN)	In (mm)	Lbs (kN)
12 (305)	1,710 (7.6)	0.16 (4.03)	377 (1.7)	0.03 (0.88)	2,897 (12.9)
18 (457)	1,140 (5.1)	0.36 (9.07)	168 (0.7)	0.05 (1.33)	2,469 (11.0)
24 (610)	856 (3.8)	0.64 (16.14)	95 (0.4)	0.07 (1.79)	1,955 (8.7)
30 (762)	685 (3.0)	0.99 (25.20)	60 (0.3)	0.09 (2.21)	1,363 (6.1)
36 (914)	570 (2.5)	1.43 (36.27)	42 (0.2)	0.11 (2.67)	946 (4.2)
48 (1,219)	427 (1.9)	2.54 (64.49)	23 (0.1)	0.14 (3.55)	532 (2.4)
60 (1,524)	342 (1.5)	3.97 (100.79)	15 (0.1)	0.18 (4.45)	340 (1.5)
72 (1,829)	286 (1.3)	5.71 (145.11)	11 (0.05)	0.21 (5.33)	236 (1.1)

1 5/8" x 2 1/4" (41mm x 57mm) Back-to-Back Channel Beam and Column Loads

Span	Maximum Uniform Beam Load		Uniform Load at Deflection Span /360		Maximum Column Load
	Load	Deflection	Load	Deflection	
In (mm)	Lbs (kN)	In (mm)	Lbs (kN)	In (mm)	Lbs (kN)
12 (305)	3,994 (17.8)	0.09 (2.19)	1,634 (7.3)	0.03 (0.88)	6,259 (27.8)
18 (457)	2,663 (11.8)	0.19 (4.88)	726 (3.2)	0.05 (1.33)	5,784 (25.7)
24 (610)	1,997 (8.9)	0.34 (8.69)	408 (1.8)	0.07 (1.79)	5,228 (23.3)
30 (762)	1,598 (7.1)	0.53 (13.58)	261 (1.2)	0.09 (2.21)	4,594 (20.4)
36 (914)	1,331 (5.9)	0.77 (19.58)	182 (0.8)	0.11 (2.67)	3,883 (17.3)
48 (1,219)	999 (4.4)	1.37 (34.78)	102 (0.5)	0.14 (3.55)	2,367 (10.5)
60 (1,524)	799 (3.6)	2.14 (54.35)	65 (0.3)	0.18 (4.45)	1,514 (6.7)
72 (1,829)	666 (3.0)	3.08 (78.28)	45 (0.2)	0.21 (5.33)	1,051 (4.7)

Published design loads are based on usage at 70°F. (21°C)
 All beams should be supported in a manner that prevents rotation at supports.
 Long, deep beams should be tied between supports to prevent twist
For concentrated loads: Reduce allowable loads by 50% and reduce deflections by 25%.

***Maximum loads** are based on full lateral support of the channel, rotation prevention at the support points and the design safety factor of 3:1

****Load exceeds** maximum allowable stress for 3:1 safety factor.

*****For Beam Spans** over 36" with loads approaching these maximum design limits, please contact the manufacturer's technical representative to confirm support configuration and lateral stability.

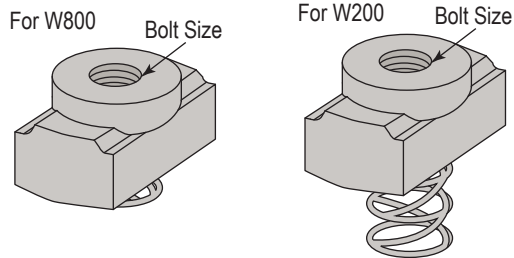
Column Loads:

Table lists the total allowable concentric axial load for various unsupported column heights based on a minimum safety factor of 3:1. Eccentric loads should be reduced according to standard practice. ***With column top and bottom pin connected n=1 and loads in table may increase by 3x.



Channel Nuts

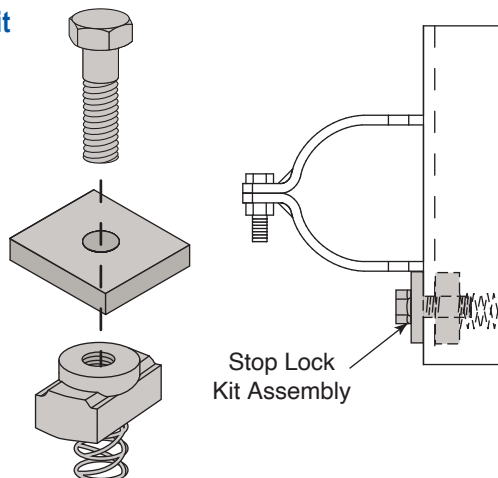
- Spring channel nuts primary use is to attach fittings to the open face of channels
- Nut is molded with integral spring
- Spring nut can be installed at any location from the open side of the channel
- Highly Corrosion Resistant.
- Standard Material is Delrin



Part No.	Bolt Size	Spring	For Use With Channel Size
W5-4FG	1/4" (6mm)	Short Spring	W800 Series 1-5/8" x 1-1/8" (41mm x 29mm)
W5-6FG	3/8" (10mm)		
W5-8FG	1/2" (13mm)		
W2-4FG	1/4" (6mm)	Standard Spring	W200 Series 1-5/8" x 1-5/8" (41mm x 41mm)
W2-6FG	3/8" (10mm)		
W2-8FG	1/2" (13mm)		

Note: Standard quantity 25 each

Stop-Lock Kit

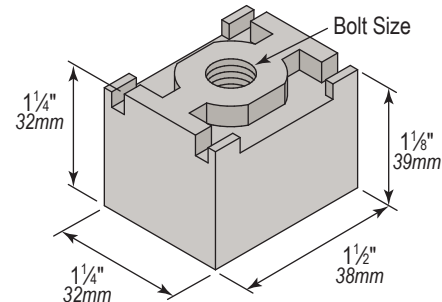


Part No.	Size	Kit Contains
SLK-375	3/8" (10mm)	W2-6FG, W5053PU, & 37X125HHCSPU
SLK-500	1/2" (13mm)	W2-8FG, W5054PU, & 50X125HHCSPU

Note: Standard quantity 25 each

Channel Nuts

- Channel Nuts can be used for attaching fittings to the open or back side of channel
- Nuts are also used to "double nut" threaded rod to channels
- Channel Nuts will not rotate in the channel
- Channel Nut can only be installed by sliding the nut into position from the end of the channel
- Material is Polyurethane (PU)

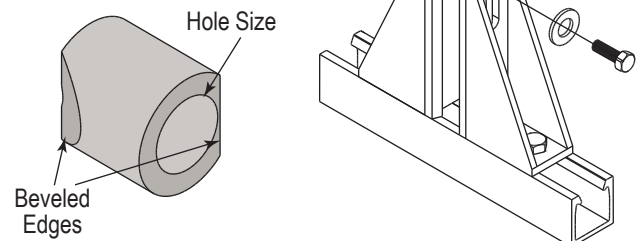


Part No.		Bolt Size	For Use With Channel Size
Polyurethane Gray (PU)	Nylon Black (NY)		
W2-6WSPU	W2-6WSNY	3/8" (10mm)	W200 Series 1-5/8" x 1-5/8" (41mm x 41mm)
W2-8WSPU	W2-8WSNY	1/2" (13mm)	
W2-10WSPU	W2-10WSNY	5/8" (16mm)	
W2-12WSPU	W2-12WSNY	3/4" (19mm)	

Note: Standard quantity 25 each

Channel Spacer

When attaching fittings to side walls of channels, through bolting requires a channel spacer to prevent wall compression under heavy load conditions. Spacer is beveled on opposite sides for easy rotation into channel



Part No.	Hole Size
SPA037PVC	3/8" (10mm)
SPA050PVC	1/2" (13mm)

Note: Standard quantity 25 each

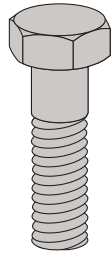


- Standard fasteners are used with Wesanco channel fittings and fiberglass structural shapes in the fabrication of pipe support systems
- Standard fasteners are available in two corrosion resistant grades:
 - Glass filled Polyurethane
 - 316 Stainless Steel

Notes

- Inquire about additional Polyurethane Bolt sizes
- Polyurethane physical properties are affected at elevated temperatures. Physical properties will decrease by 50% at 150°F (66°C)

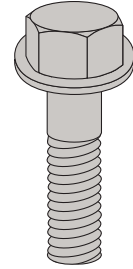
Spring Nut Hex Bolts



Part No.		Bolt Size
Polyurethane Gray (PU)	Stainless Steel Type 316 (S6)	
HHCS25X075PU	HHCS25X075S6	¼" x ¾" (6 x 19mm)
HHCS25X100PU *	HHCS25X100S6 *	¼" x 1" (6 x 25mm)
HHCS25X125PU	HHCS25X125S6	¼" x 1-¼" (6 x 32mm)
HHCS31X125PU	HHCS31X125S6	⅝" x 1-¼" (8 x 32mm)
HHCS31X200PU	HHCS31X200S6	⅝" x 2" (8 x 51mm)
HHCS37X100PU *	HHCS37X100S6 *	⅜" x 1" (10 x 25mm)
HHCS37X125PU	HHCS37X125S6	⅜" x 1-¼" (10 x 32mm)
HHCS37X150PU	HHCS37X150S6	⅜" x 1-½" (10 x 38mm)
HHCS37X200PU	HHCS37X200S6	⅜" x 2" (10 x 51mm)
HHCS37X250PU	HHCS37X250S6	⅜" x 2-½" (10 x 64mm)
HHCS37X300PU	HHCS37X300S6	⅜" x 3" (10 x 76mm)
HHCS50X100PU *	HHCS50X100S6 *	½" x 1" (13 x 25mm)
HHCS50X125PU	HHCS50X125S6	½" x 1-¼" (13 x 32mm)
HHCS50X150PU	HHCS50X150S6	½" x 1-½" (13 x 38mm)
HHCS50X200PU	HHCS50X200S6	½" x 2" (13 x 51mm)
HHCS50X250PU	HHCS50X250S6	½" x 2-½" (13 x 64mm)
HHCS50X300PU	HHCS50X300S6	½" x 3" (13 x 76mm)
HHCS75X200PU	HHCS75X200S6	¾" x 2" (19 x 51mm)

* For use with W800 1-⅝" x 1-½" Channel and spring nuts attachments.
Note: Standard quantity 25 each

Flanged Hex Bolts

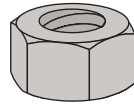


Part No. Polyurethane Gray (PU)	Bolt Size
HHFB25X075PU	¼" x ¾" (6 x 19mm)
HHFB25X100PU *	¼" x 1" (6 x 25mm)
HHFB25X125PU	¼" x 1-¼" (6 x 32mm)
HHFB25X150PU	¼" x 1-½" (6 x 38mm)
HHFB31X150PU	⅝" x 1-½" (8 x 32mm)
HHFB37X100PU *	⅜" x 1" (10 x 25mm)
HHFB37X125PU	⅜" x 1-¼" (10 x 32mm)
HHFB37X150PU	⅜" x 1-½" (10 x 38mm)
HHFB37X200PU	⅜" x 2" (10 x 51mm)
HHFB37X250PU	⅜" x 2-½" (10 x 64mm)
HHFB37X300PU	⅜" x 3" (10 x 76mm)
HHFB50X100PU *	½" x 1" (13 x 25mm)
HHFB50X125PU	½" x 1-¼" (13 x 32mm)
HHFB50X150PU	½" x 1-½" (13 x 38mm)
HHFB50X200PU	½" x 2" (13 x 51mm)
HHFB50X250PU	½" x 2-½" (13 x 64mm)
HHFB50X300PU	½" x 3" (13 x 76mm)
HHFB50X350PU	½" x 3-½" (13 x 89mm)

* For use with W800 1-⅝" x 1-½" Channel and spring nuts attachments.
Note: Standard quantity 25 each
Other sizes available upon request
Flanged bolts not available in Stainless Steel



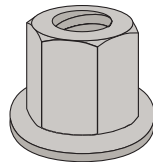
Standard Duty Polyurethane Nuts



Part No.		Hex Nut Size
Polyurethane Gray (PU)	Stainless Steel Type 316 (S6)	
HN25PU	HN25S6	¼" (6mm)
HN31PU	HN31S6	⅝" (8mm)
HN37PU	HN37S6	⅜" (10mm)
HN50PU	HN50S6	½" (13mm)
HN62PU	HN62S6	⅝" (16mm)
HN75PU	HN75S6	¾" (19mm)

Note: Standard quantity 25 each

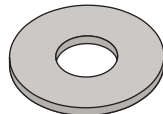
Heavy Duty Flanged Hex Nuts



Part No. Polyurethane Gray (PU)	Heavy Duty Nut Size
FHN31PU	⅝" (8mm)
FHN37PU	⅜" (10mm)
FHN50PU	½" (13mm)
FHN62PU	⅝" (16mm)
FHN75PU	¾" (19mm)
FHN100PU	1" (25mm)

Note: Standard quantity 25 each

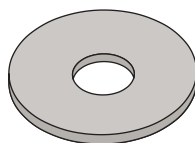
Washers



Part No. Polyurethane Gray (PU)	Washer Size
FW25PU	¼" (6mm)
FW37PU	⅜" (10mm)
FW50PU	½" (13mm)
FW62PU	⅝" (16mm)
FW75PU	¾" (19mm)
FW100PU	1" (25mm)

Note: Standard quantity 25 each

Fender Washers

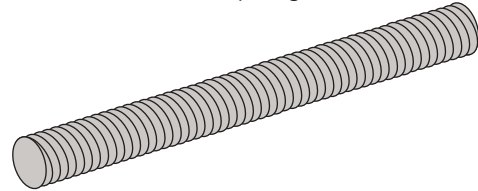


Part No. Polyurethane Gray (PU)	Washer Size
FWPU75X225	¾" (19mm)

Note: Standard quantity 25 each

Threaded Rod

- Wesanco offers all thread rod in two materials, Vinyl Ester Fiberglass and 316 Stainless Steel
- Fiberglass threaded rod is stocked in 8' lengths. Cut to length sizes available
- Stainless Steel is available in 3', 4', 6' & 12' foot (0.9m, 1.2m, 1.8m, 3.6m) length

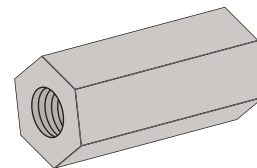


Part No.		Threaded Rod Size	Thread Shear for Vinyl Ester (VE)
Vinyl Ester (VE) 8 Foot (2.4m)	Stainless Steel Type 316 (STS6) 12 Foot (3.7m)		
W7125VE8FT	W7125STS612FT	⅜" (10mm)	415 lb (1.85kN)
W7126VE8FT	W7126STS612FT	½" (13mm)	570 lb (2.54kN)
W7127VE8FT	W7127STS612FT	⅝" (16mm)	1,260 lb (5.60kN)
W7128VE8FT	W7128STS612FT	¾" (19mm)	1,700 lb (7.56kN)
W7131VE8FT	W7131STS612FT	1" (25mm)	3,000 lb (13.35kN)

Note: Standard quantity 25 each
Thread shear values represent a 3:1 safety factor.

Threaded Rod Couplers

- Wesanco offers rod couplers in two materials, Polyurethane, and 316 Stainless Steel
- Couplers provide a simple way to connect threaded rod



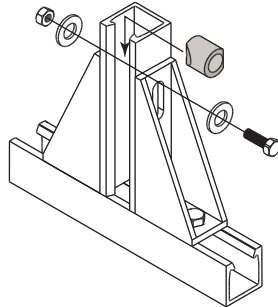
Part No.		Threaded Rod Coupler Size	Thread Shear for Polyurethane (PU)
Polyurethane Gray (PU)	Stainless Steel Type 316 (S6)		
W7135PU	W7135S6	⅜" (10mm)	800 lb (3.56kN)
W7136PU	W7136S6	½" (13mm)	870 lb (3.87kN)
W7137PU	W7137S6	⅝" (16mm)	1,500 lb (6.67kN)
W7138PU	W7138S6	¾" (19mm)	1,500 lb (6.67kN)

Note: Standard quantity 25 each
Thread shear values represent a 3:1 safety factor.

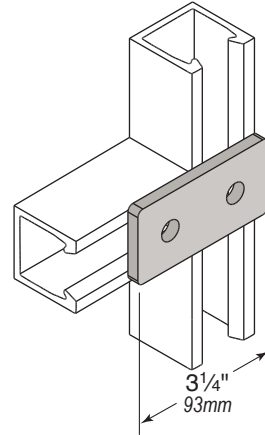


Flat Plate Fittings

- Industry standard channel fittings for fabricating structures with Wesanco channel
- Fittings can be attached with channel nuts or through bolted to strut back of side walls
- No Special Tools Required
- Highly Corrosion Resistant. See Chemical Resistant Guide on pages 35 - 37
- Standard fitting material is either:
 - Polyester (PF) FRP Gray
 - Vinyl Ester (VF) FRP Beige
 - Injection Molded Thermoplastics
 - Polyurethane (PU)
 - Polyester (PE);
- NOTES: When attaching fittings to side walls of channels, through bolting requires a channel spacer to prevent wall compression under heavy load conditions. Order part # SPA037PVC for $\frac{3}{8}$ " (10mm) bolts and part # SPA050PVC for $\frac{1}{2}$ " (13mm) bolts.

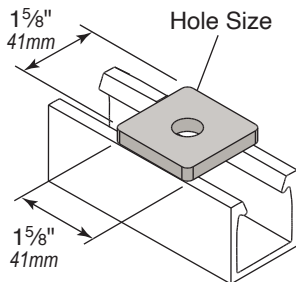


Two Hole Splice



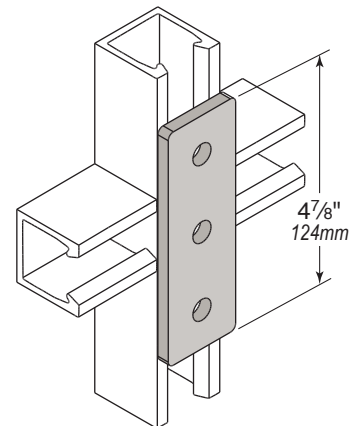
Part No.	Material
W5007PF	Polyester Fire Rated FRP Gray
W5007VF	Vinyl Ester Fire Rated FRP Beige

One Hole Washer



Part No.		Bolt Size
Polyester Fire Rated FRP Gray (PF)	Vinyl Ester Fire Rated FRP Beige (VF)	
W5053PF	W5053VF	$\frac{3}{8}$ " (10mm)
W5054PF	W5054VF	$\frac{1}{2}$ " (13mm)
W5055PF	W5055VF	$\frac{5}{8}$ " (16mm)
W5056PF	W5056VF	$\frac{3}{4}$ " (19mm)

Three Hole Splice

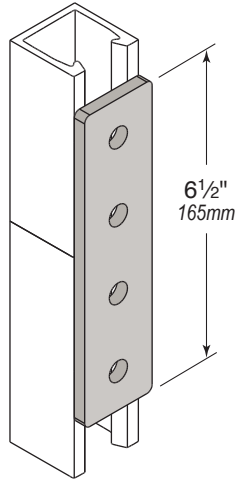


Part No.	Material
W5008PF	Polyester Fire Rated FRP Gray
W5008VF	Vinyl Ester Fire Rated FRP Beige

Hole Diameter: $\frac{7}{16}$ " (11mm); Hole Spacing - From End: $\frac{13}{16}$ " (21mm); Hole Spacing - On Center: 1- $\frac{5}{8}$ " (41mm); Width: 1- $\frac{5}{8}$ " (41mm); Thickness: $\frac{1}{4}$ " (6mm)

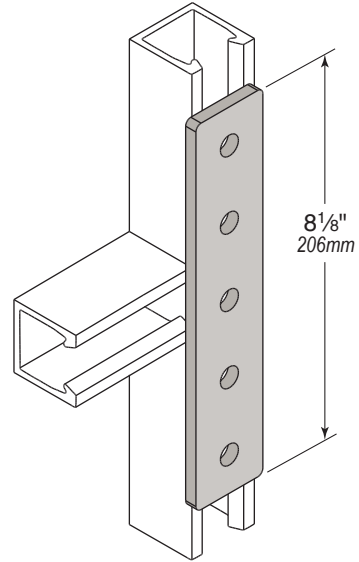


Four Hole Splice



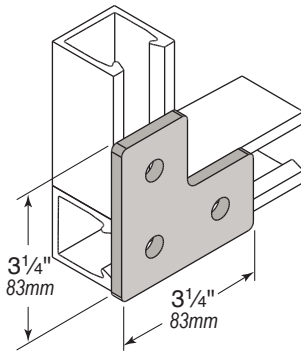
Part No.	Material
W5009PF	Polyester Fire Rated FRP Gray
W5009VF	Vinyl Ester Fire Rated FRP Beige

Five Hole Splice



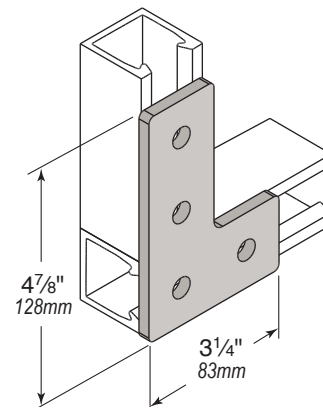
Part No.	Material
W5010PF	Polyester Fire Rated FRP Gray
W5010VF	Vinyl Ester Fire Rated FRP Beige

Three Hole Corner



Part No.	Material
W5021PF	Polyester Fire Rated FRP Gray
W5021VF	Vinyl Ester Fire Rated FRP Beige

Four Hole Corner

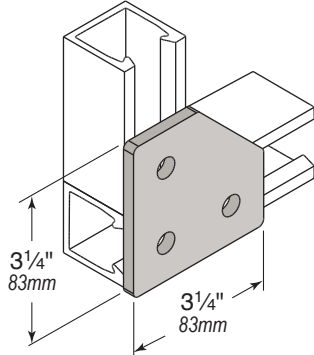


Part No.	Material
W5025PF	Polyester Fire Rated FRP Gray
W5025VF	Vinyl Ester Fire Rated FRP Beige

Hole Diameter: $\frac{7}{16}$ " (11mm); Hole Spacing - From End: $\frac{13}{16}$ " (21mm); Hole Spacing - On Center: $1\frac{5}{8}$ " (41mm); Width: $1\frac{5}{8}$ " (41mm); Thickness: $\frac{1}{4}$ " (6mm)

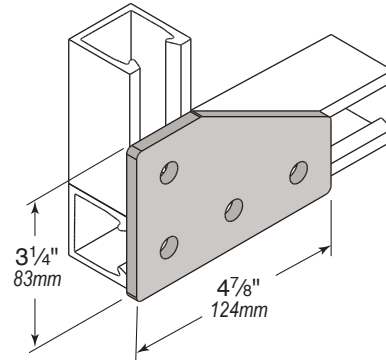


Three Hole Corner Gusset



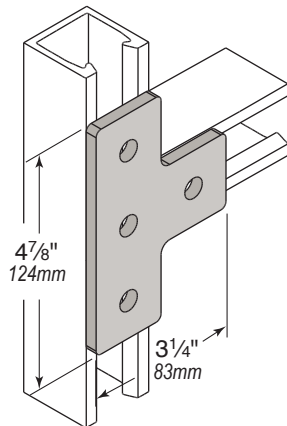
Part No.	Material
W5020PF	Polyester Fire Rated FRP Gray
W5020VF	Vinyl Ester Fire Rated FRP Beige

Four Hole Corner Gusset



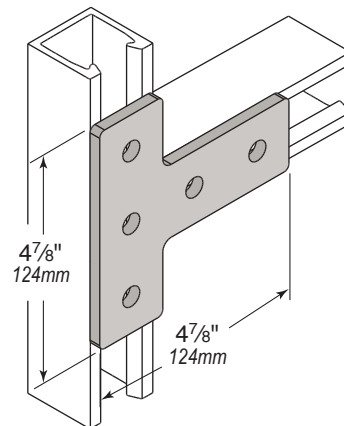
Part No.	Material
W5024PF	Polyester Fire Rated FRP Gray
W5024VF	Vinyl Ester Fire Rated FRP Beige

Four Hole Tee



Part No.	Material
W5022PF	Polyester Fire Rated FRP Gray
W5022VF	Vinyl Ester Fire Rated FRP Beige

Five Hole Tee

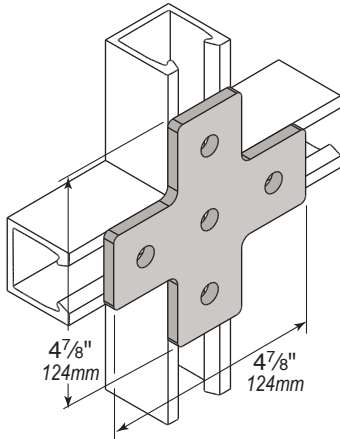


Part No.	Material
W5022MPF	Polyester Fire Rated FRP Gray
W5022MVF	Vinyl Ester Fire Rated FRP Beige

Hole Diameter: $\frac{7}{16}$ " (11mm); Hole Spacing - From End: $\frac{13}{16}$ " (21mm); Hole Spacing - On Center: $1\frac{5}{8}$ " (41mm); Width: $1\frac{5}{8}$ " (41mm); Thickness: $\frac{1}{4}$ " (6mm)

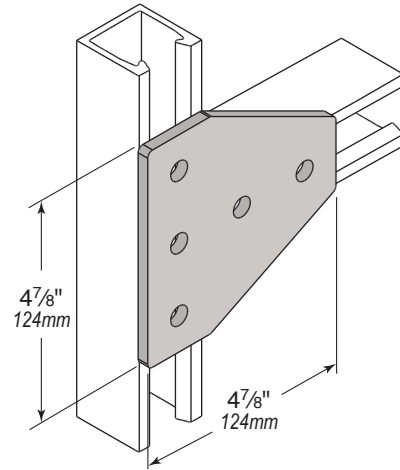


Five Hole Cross



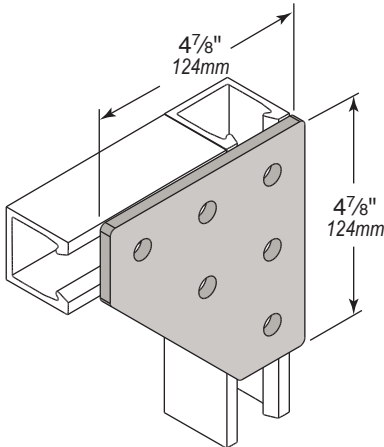
Part No.	Material
W5023PF	Polyester Fire Rated FRP Gray
W5023VF	Vinyl Ester Fire Rated FRP Beige

Five Hole Tee Gusset



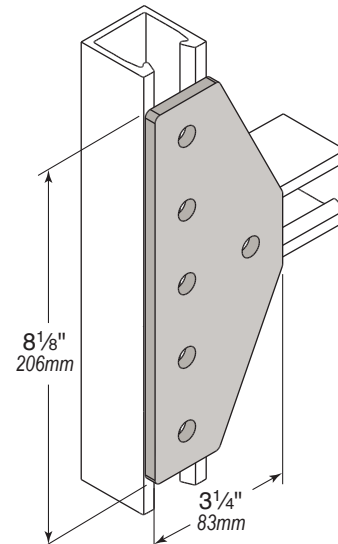
Part No.	Material
W5027PF	Polyester Fire Rated FRP Gray
W5027VF	Vinyl Ester Fire Rated FRP Beige

Five Hole Corner Gusset



Part No.	Material
W5028PF	Polyester Fire Rated FRP Gray
W5028VF	Vinyl Ester Fire Rated FRP Beige

Six Hole Tee Gusset

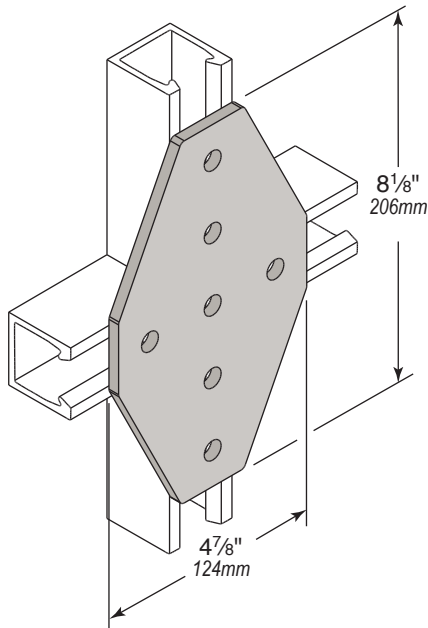


Part No.	Material
W5032PF	Polyester Fire Rated FRP Gray
W5032VF	Vinyl Ester Fire Rated FRP Beige

Hole Diameter: $\frac{7}{16}$ " (11mm); Hole Spacing - From End: $\frac{13}{16}$ " (21mm); Hole Spacing - On Center: $1\text{-}\frac{5}{8}$ " (41mm); Width: $1\text{-}\frac{5}{8}$ " (41mm); Thickness: $\frac{1}{4}$ " (6mm)

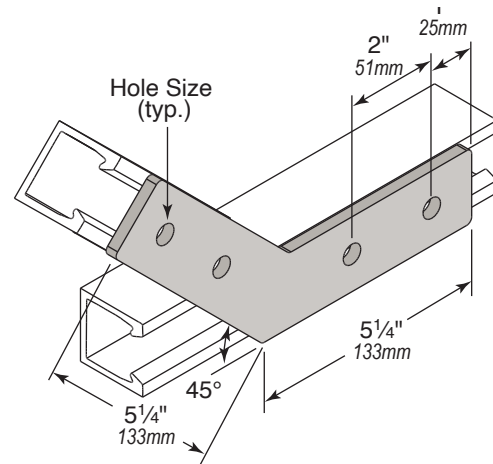


Seven Hole Cross Gusset



Part No.	Material
W5029PF	Polyester Fire Rated FRP Gray
W5029VF	Vinyl Ester Fire Rated FRP Beige

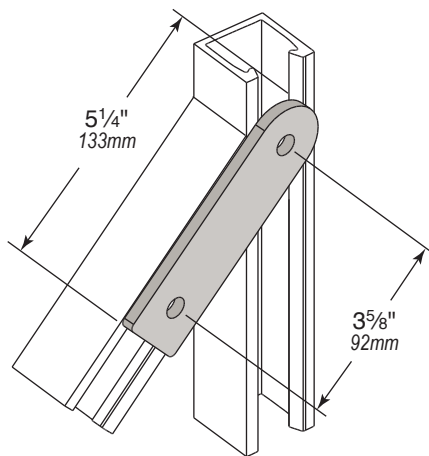
Four Hole 45° Angle



Part No.	Hole Size *	Material
W5035PF-375	7/16" (11mm)	Polyester Fire Rated FRP Gray
W5035VF-375	7/16" (11mm)	Vinyl Ester Fire Rated FRP Beige
W5035PF-500	9/16" (14mm)	Polyester Fire Rated FRP Gray
W5035VF-500	9/16" (14mm)	Vinyl Ester Fire Rated FRP Beige

* 5/8" and 3/4" Available on request

Two Hole Swivel Plate



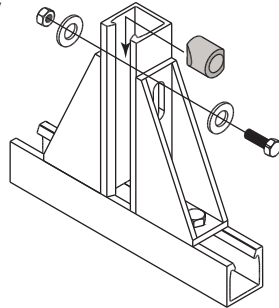
Part No.	Material
W5011PF	Polyester Fire Rated FRP Gray
W5011VF	Vinyl Ester Fire Rated FRP Beige

Hole Diameter: 7/16" (11mm); Hole Spacing - From End: 13/16" (21mm); Hole Spacing - On Center: 1-5/8" (41mm); Width: 1-5/8" (41mm); Thickness: 1/4" (6mm)

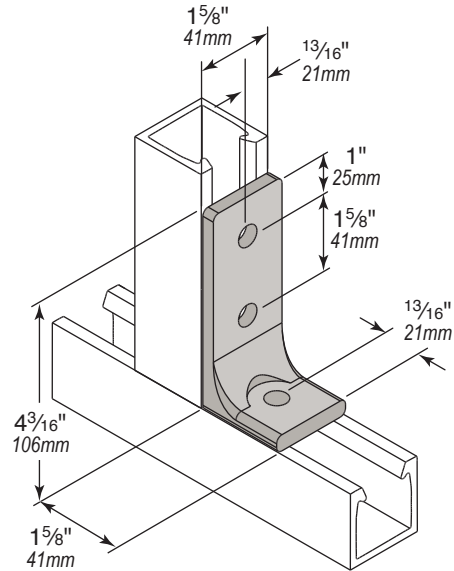


Angle Fittings

- Industry standard angle fittings for fabricating structures with Wesanco channel
- Fittings can be attached using either SS or PU bolts with Wesanco Channel or Spring Nuts or through bolting to strut back or side walls
- Highly Corrosion Resistant. See Chemical Resistant Chart on pages 35 - 37
- Standard fitting material is either:
 - Polyester (PF) FRP Gray
 - Vinyl Ester (VF) FRP Beige
 - Injection Molded Thermoplastics
 - Polyurethane (PU)
 - Polyester (PE);
- Note: When attaching fittings to side walls of channels, through bolting requires a channel spacer to prevent wall compression under heavy load conditions. Order part # SPA037PVC for $\frac{3}{8}$ " (10mm) bolts and part # SPA050PVC for $\frac{1}{2}$ " (13mm) bolts.

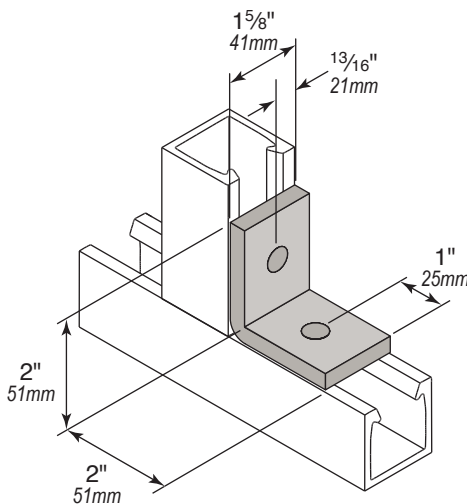


Three Hole 90° Angle



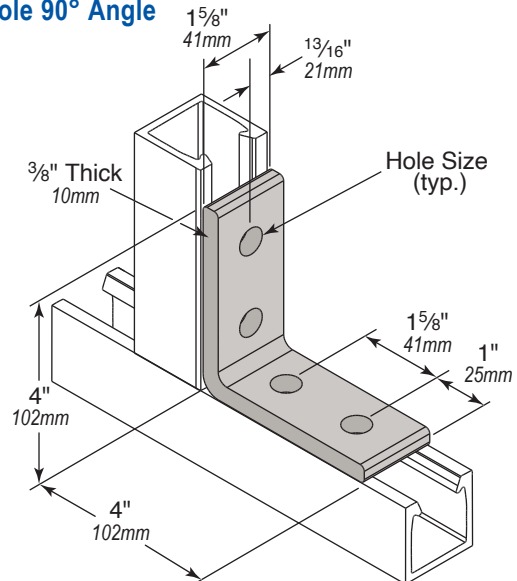
Part No.	Material
W5113PF	Polyester Fire Rated FRP Gray
W5113VF	Vinyl Ester Fire Rated FRP Beige

Two Hole 90° Angle



Part No.	Material
W5103PF	Polyester Fire Rated FRP Gray
W5103VF	Vinyl Ester Fire Rated FRP Beige

Four Hole 90° Angle



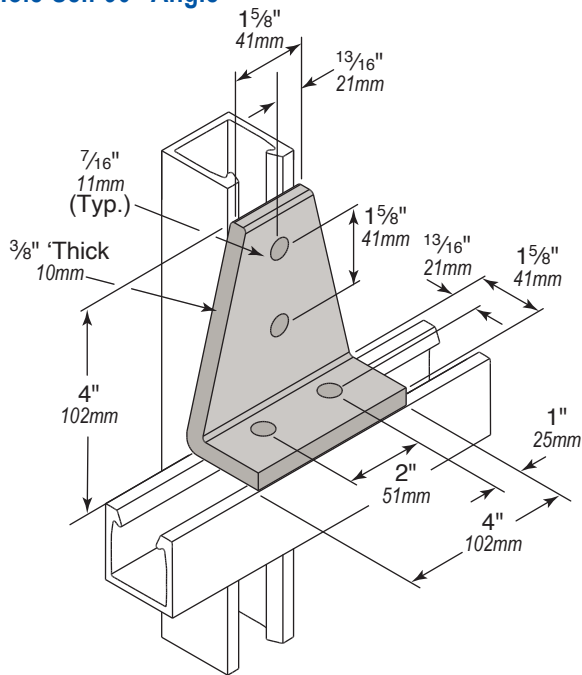
Part No.	Hole Size *	Material
W5125MPF	$\frac{7}{16}$ " (11mm)	Polyester Fire Rated FRP Gray
W5125MVF	$\frac{7}{16}$ " (11mm)	Vinyl Ester Fire Rated FRP Beige
W5125PF	$\frac{9}{16}$ " (14mm)	Polyester Fire Rated FRP Gray
W5125VF	$\frac{9}{16}$ " (14mm)	Vinyl Ester Fire Rated FRP Beige

* $\frac{5}{8}$ " and $\frac{3}{4}$ " Available on request

Hole Diameter: $\frac{7}{16}$ " (11mm); Hole Spacing - From End: $\frac{13}{16}$ " (21mm); Hole Spacing - On Center: $1\text{-}\frac{5}{8}$ " (41mm); Width: $1\text{-}\frac{5}{8}$ " (41mm); Thickness: $\frac{1}{4}$ " (6mm)

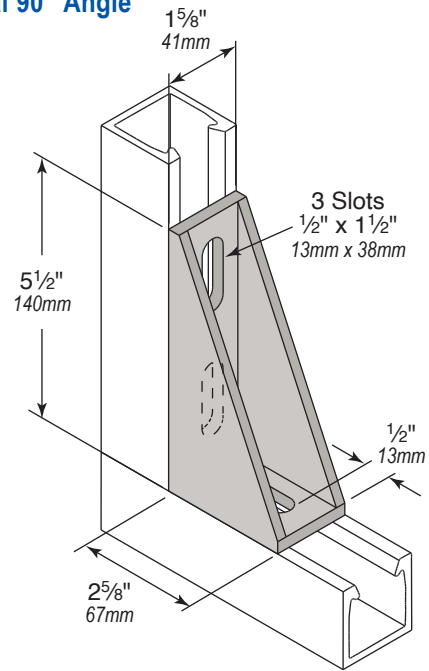


Four Hole Self 90° Angle



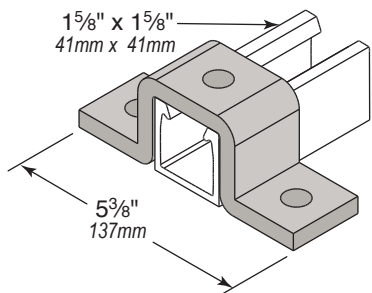
Part No.	Material
W5109PF	Polyester Fire Rated FRP Gray
W5109VF	Vinyl Ester Fire Rated FRP Beige

Universal 90° Angle



Part No.	Material
W5124PF	Polyester Fire Rated FRP Gray
W5124PU	Polyurethane Gray (PU)

Three Hole "U" Shape Support



Part No.	Material
W5312PF	Polyester Fire Rated FRP Gray
W5312PU	Polyurethane Gray (PU)

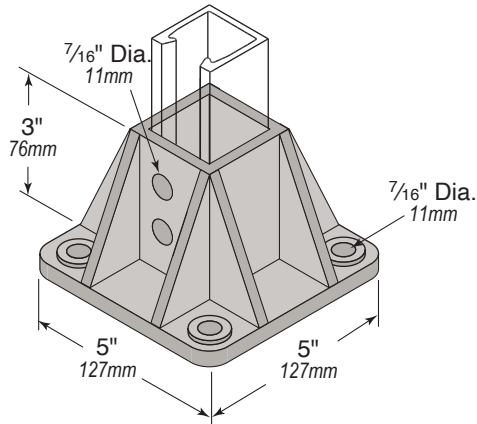
Hole Diameter: $\frac{7}{16}$ " (11mm); Hole Spacing - From End: $\frac{13}{16}$ " (21mm); Hole Spacing - On Center: $1\frac{5}{8}$ " (41mm); Width: $1\frac{5}{8}$ " (41mm); Thickness: $\frac{1}{4}$ " (6mm)



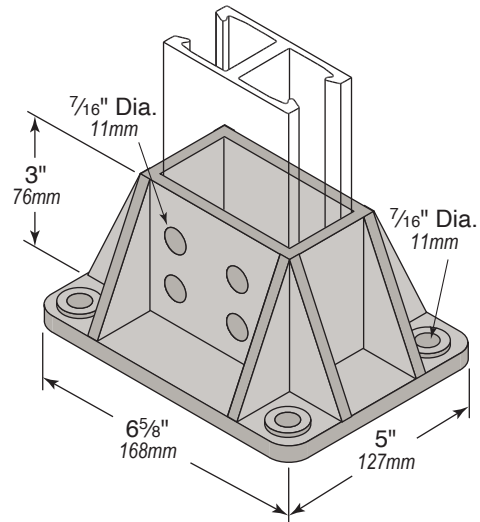
Post Bases

- Wesanco Post Bases can be attached with channel nuts or through bolted to strut back or side walls
- Highly Corrosion Resistant. See Chemical Resistant Guide on pages 35 - 37
- Standard fitting material is either Injection molded Polyester PE (Black) or Polyurethane PU (Gray)

Single Post Base

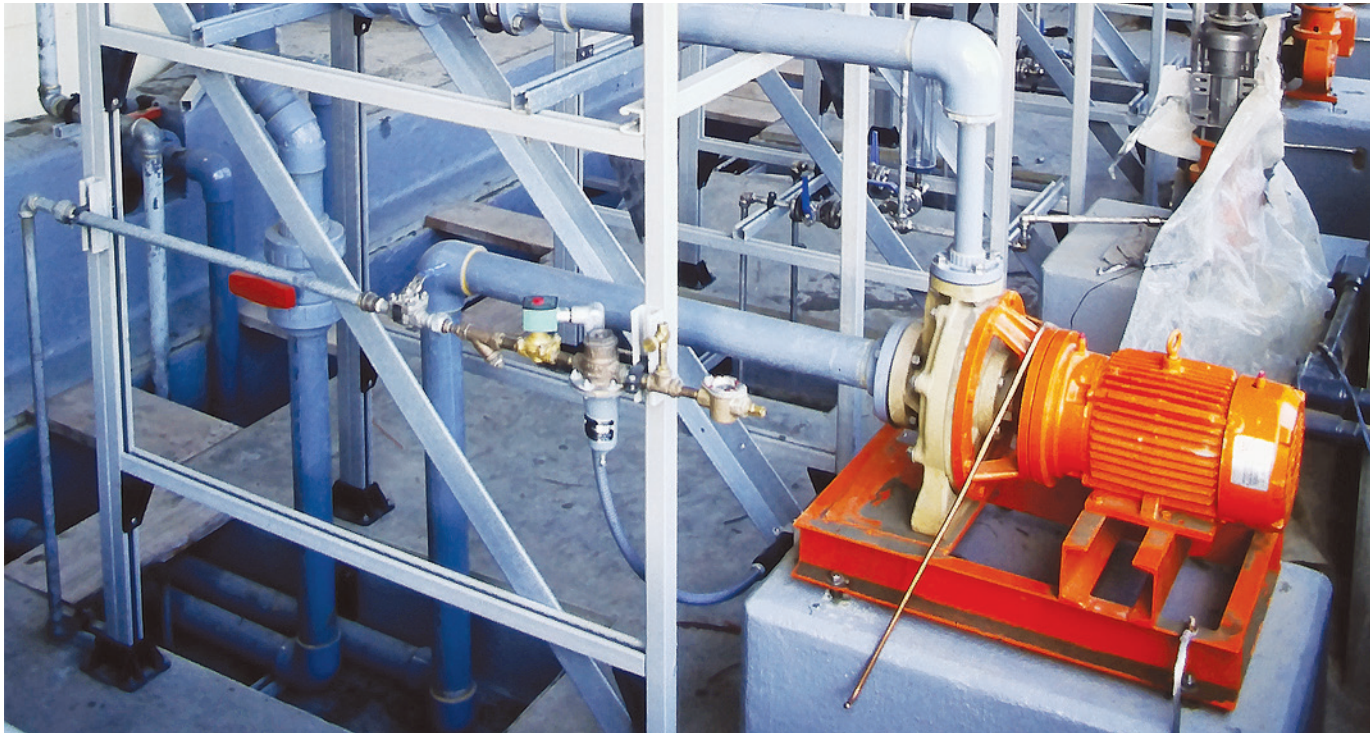


Double Post Base



Part No.	Material
W5814SQPE	Polyester Black (PE)
W5814SQPU	Polyurethane Gray (PU)

Part No.	Material
W5816SQPE	Polyester Black (PE)
W5816SQPU	Polyurethane Gray (PU)



Hole Diameter: $\frac{7}{16}$ " (11mm); Hole Spacing - From End: $\frac{13}{16}$ " (21mm); Hole Spacing - On Center: $1\frac{1}{8}$ " (41mm); Width: $1\frac{1}{8}$ " (41mm); Thickness: $\frac{1}{4}$ " (6mm)



Beam Clips

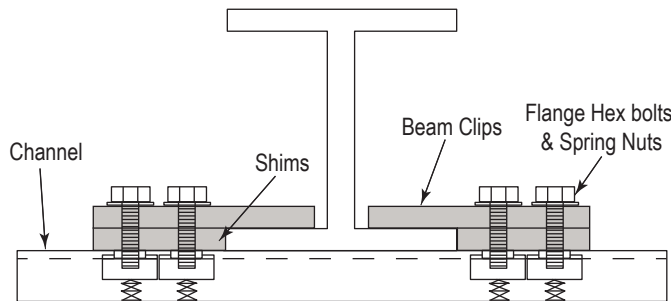
- Wesanco Beam Clips provide a secure method for attaching strut channel and or trapeze configurations to various size beams
- Fastener $\frac{1}{2}$ " x 2" (13 x 51mm) Flange Bolt Polyurethane (PU)
- Connection to channel is with Spring Nuts
- Beam Clips and Shims are Vinyl Ester Fiberglass

Beam Clips

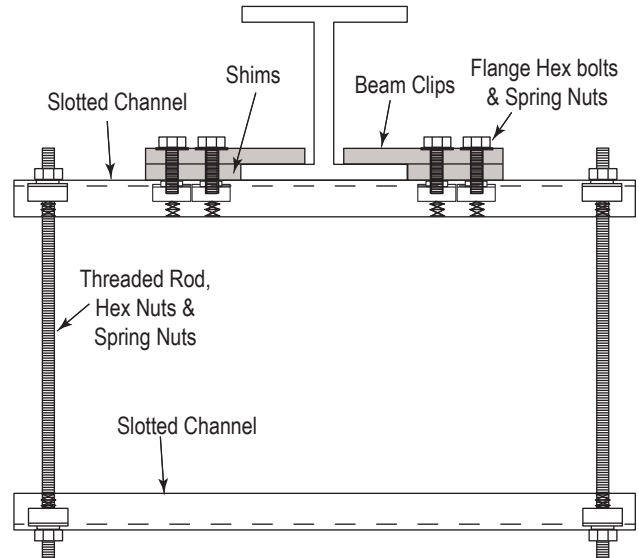
Each Assembly Includes:

- 2 each - $\frac{1}{2}$ " x $5\frac{3}{8}$ " (13 x 137mm) Beam Clips
- 4 each - $\frac{1}{2}$ " x 2" (13 x 51mm) Flange Bolt Polyurethane (PU)
- 4 each - $\frac{1}{2}$ " (13mm) Standard Spring Nuts
- (Also needed, but sold separately are various thicknesses of Shims. Providing adjustment depending on the thickness of your beam flange).

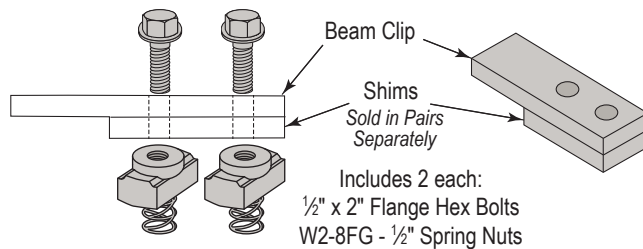
General Beam Clip Application



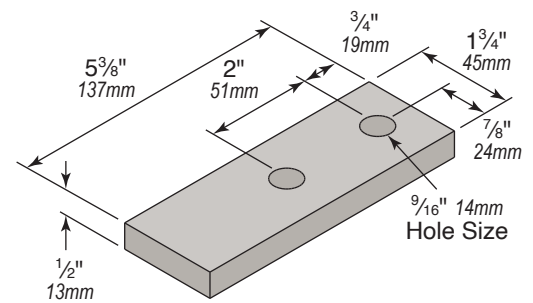
Trapeze Application Using Beam Clips



Standard Beam Clip Assembly - Sold in Pairs



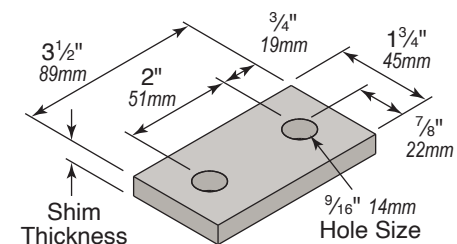
Beam Clip Dimensions



Part No.	Beam Clip Assembly Description	Beam Clip Thickness	Load Rating
BC500VFPU-SN-2	$\frac{1}{2}$ " (13mm) Beam Clip Assemblies, Beam Clips & $\frac{1}{2}$ " (13mm) thick Shims (2 of each included)	$\frac{1}{2}$ " (13mm)	250 lb (1.1kN)
	W2-8FG - $\frac{1}{2}$ " (13mm) Standard Spring Nuts (4 included)		
	HHFB50X200PU - $\frac{1}{2}$ " x 2" (13 x 51mm) Flange Bolts (4 included)		

Beam Clip Shims

Part No.	Shim Description	Thickness
BCS250VF-2	$\frac{1}{4}$ " (6mm) Flange Beam Clip Shims Vinyl Ester (2 each)	$\frac{1}{4}$ " (6mm)
BCS375VF-2	$\frac{3}{8}$ " (10mm) Flange Beam Clip Shims Vinyl Ester (2 each)	$\frac{3}{8}$ " (10mm)
BCS500VF-2	$\frac{1}{2}$ " (13mm) Flange Beam Clip Shims Vinyl Ester (2 each)	$\frac{1}{2}$ " (13mm)



Hole Diameter: $\frac{7}{16}$ " (11mm); Hole Spacing - From End: $\frac{13}{16}$ " (21mm); Hole Spacing - On Center: $1\frac{5}{8}$ " (41mm); Width: $1\frac{5}{8}$ " (41mm); Thickness: $\frac{1}{4}$ " (6mm)



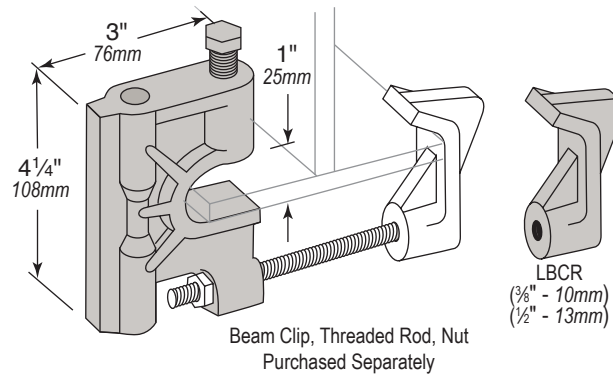
Beam Clamps

- Wesanco Beam Clamps provide a simple and secure method for attaching strut channel and or trapeze configurations to various size of beams
- Beam Clamps are offered in two sizes, Large or Small
- Beam Clamps come with either $\frac{3}{8}$ " or $\frac{1}{2}$ " (10mm or 13mm) thread for threaded rod, sold separately
- Material of construction is Glass Filled Polyurethane

Beam Clamp Order Information

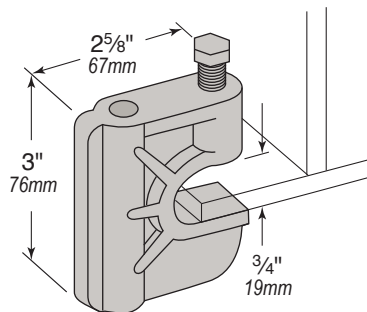
- Included with each Beam Clamp is a SS bolt to secure clamp to beam
- See threaded rod section for your application requirements, sold separately

Large Beam Clamp



Part No.	Description	Load Rating
LBC375PU	Large Beam Clamp for $\frac{3}{8}$ " -16 Rod	600 lb (2.7kN)
LBC500PU	Large Beam Clamp for $\frac{1}{2}$ " -19 Rod	600 lb (2.7kN)
LBCR375PU	Large Beam Clamp Retaining Clip for $\frac{3}{8}$ " -16 Rod	—
LBCR500PU	Large Beam Clamp Retaining Clip for $\frac{1}{2}$ " -19 Rod	—

Small Beam Clamp



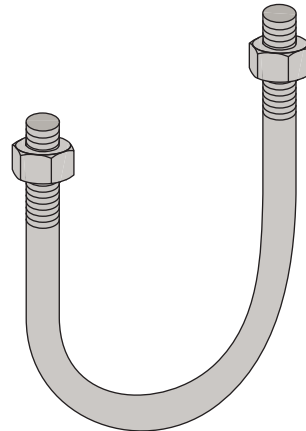
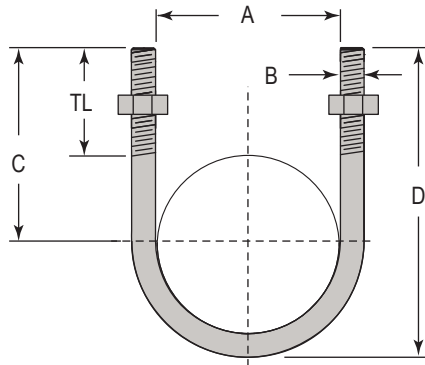
Part No.	Description	Load Rating
SBC375PU	Small Beam Clamp for $\frac{3}{8}$ " -16 Rod	600 lb (2.7kN)
SBC500PU	Small Beam Clamp for $\frac{1}{2}$ " -19 Rod	600 lb (2.7kN)

Hole Diameter: $\frac{7}{16}$ " (11mm); Hole Spacing - From End: $\frac{13}{16}$ " (21mm); Hole Spacing - On Center: $1\text{-}\frac{5}{8}$ " (41mm); Width: $1\text{-}\frac{5}{8}$ " (41mm); Thickness: $\frac{1}{4}$ " (6mm)



Standard U-Bolts

- Non-Metallic U-Bolts with 2 Hex Nuts included
Additional nuts and washers can be purchased separately
See page 14
- Highly Corrosion Resistant: See Chemical Compatibility
Table on pages 35 - 37
- Standard Material is glass-reinforced Polyurethane



Part No.	Pipe Size	Pipe OD	A	B	C	D	Thread Length	Max. Rec. Torque
W6304FG	½" (13mm)	0.840 (21mm)	0.93" (24mm)	⅜" (10mm)	1.56" (40mm)	2.41" (61mm)	1.25" (32mm)	20 In/lbs (2.26N/m)
W6306FG	¾" (19mm)	1.050 (27mm)	1.12" (28mm)	⅜" (10mm)	1.66" (42mm)	2.60" (66mm)	1.25" (32mm)	20 In/lbs (2.26N/m)
W6308FG	1" (25mm)	1.315 (33mm)	1.37" (35mm)	⅜" (10mm)	1.78" (45mm)	2.85" (73mm)	1.25" (32mm)	20 In/lbs (2.26N/m)
W6310FG	1-¼" (32mm)	1.660 (42mm)	1.68" (43mm)	⅜" (10mm)	1.94" (49mm)	3.16" (80mm)	1.25" (32mm)	20 In/lbs (2.26N/m)
W6312FG	1-½" (38mm)	1.900 (48mm)	2.00" (51mm)	⅜" (10mm)	2.10" (53mm)	3.47" (88mm)	1.25" (32mm)	20 In/lbs (2.26N/m)
W6314FG	2" (51mm)	2.375 (60mm)	2.43" (62mm)	½" (13mm)	2.46" (63mm)	4.18" (106mm)	1.50" (38mm)	40 In/lbs (4.52N/m)
W6316FG	2-½" (61mm)	2.875 (70mm)	2.93" (74mm)	½" (13mm)	2.71" (69mm)	4.68" (119mm)	1.50" (38mm)	40 In/lbs (4.52N/m)
W6318FG	3" (76mm)	3.500 (89mm)	3.56" (90mm)	½" (13mm)	3.03" (77mm)	5.31" (135mm)	1.50" (38mm)	40 In/lbs (4.52N/m)
W6320FG	3-½" (89mm)	4.500 (114mm)	4.06" (103mm)	½" (13mm)	3.28" (83mm)	5.81" (148mm)	1.50" (38mm)	40 In/lbs (4.52N/m)
W6322FG	4" (102mm)	5.563 (141mm)	4.56" (116mm)	½" (13mm)	3.53" (90mm)	6.31" (160mm)	1.50" (38mm)	40 In/lbs (4.52N/m)

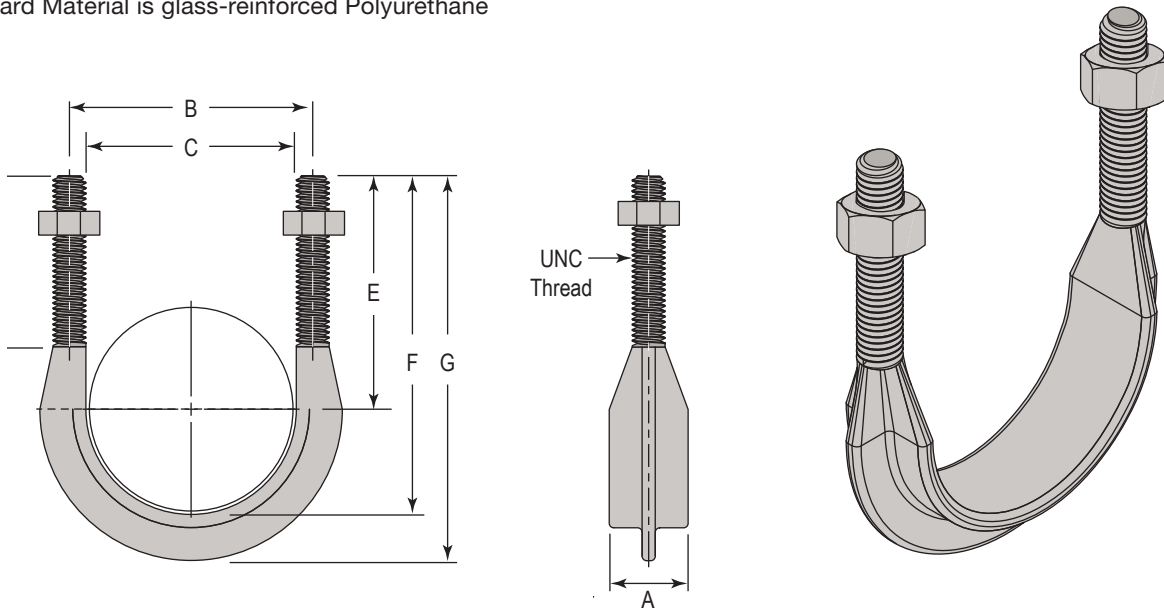
U-bolts should not be torqued above recommended values.

Hole Diameter: 7/16" (11mm); Hole Spacing - From End: 13/16" (21mm); Hole Spacing - On Center: 1-5/8" (41mm); Width: 1-5/8" (41mm); Thickness: 1/4" (6mm)



Extended Reach U-Bolts

- Extended-reach U-bolts provide a larger saddle area and longer threaded area
- Non-Metallic U-Bolts with 2 Hex Nuts included
- Highly Corrosion Resistant: See Chemical Compatibility Table on pages 35 - 37
- Standard Material is glass-reinforced Polyurethane



Part No.	Nominal Size	IPS Pipe Size	Bolt Torque	UNC Thread Size
W6308ERFG	1" (25mm)	1.315 (33mm)	40 In/lbs (4.52N/m)	3/8"-16
W6312ERFG	1-1/2" (38mm)	1.900 (48mm)	40 In/lbs (4.52N/m)	3/8"-16
W6314ERFG	2" (51mm)	2.375 (60mm)	80 In/lbs (9.04N/m)	1/2"-13
W6318ERFG	3" (76mm)	3.500 (89mm)	80 In/lbs (9.04N/m)	1/2"-13
W6322ERFG	4" (102mm)	4.500 (114mm)	80 In/lbs (9.04N/m)	1/2"-13
W6326ERFG	6" (152mm)	6.625 (168mm)	80 In/lbs (9.04N/m)	5/8"-11

U-bolts should not be torqued above recommended values.

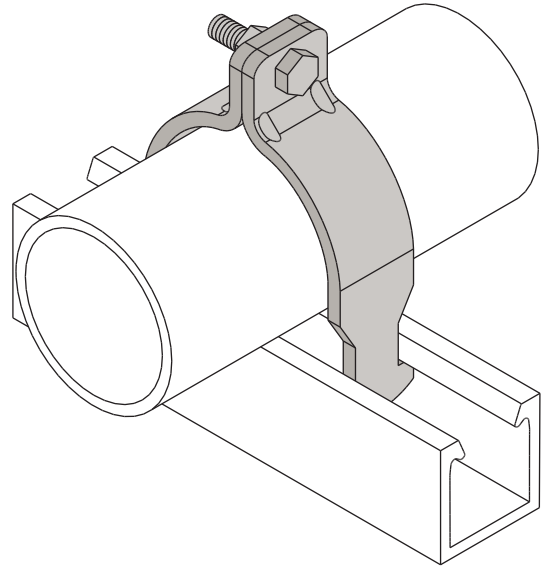
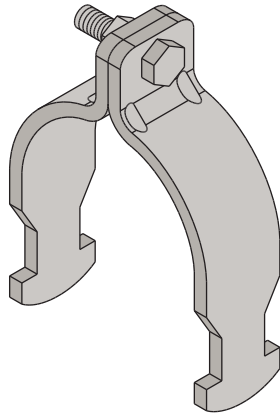
Part No.	Nominal Size	IPS Pipe Size	A	B	C	D	E	F	G
W6308ERFG	1" (25mm)	1.315 (33mm)	9/16" (14mm)	1-3/4" (45mm)	1-3/8" (35mm)	1-7/8" (48mm)	2-5/16" (59mm)	3" (76mm)	3-3/8" (86mm)
W6312ERFG	1-1/2" (38mm)	1.900 (48mm)	9/16" (14mm)	2-3/8" (60mm)	2" (51mm)	2-7/8" (54mm)	2-21/32" (68mm)	3-21/32" (93mm)	4-1/32" (102mm)
W6314ERFG	2" (51mm)	2.375 (60mm)	3/4" (19mm)	2-15/16" (75mm)	2-7/16" (62mm)	2-3/8" (60mm)	3-5/32" (80mm)	4-3/8" (111mm)	5" (127mm)
W6318ERFG	3" (76mm)	3.500 (89mm)	3/4" (19mm)	4-1/8" (105mm)	3-5/8" (92mm)	2-5/8" (67mm)	3-11/16" (94mm)	5-1/2" (140mm)	6-1/8" (156mm)
W6322ERFG	4" (102mm)	4.500 (114mm)	3/4" (19mm)	5-1/8" (130mm)	4-5/8" (118mm)	2-5/8" (67mm)	4-3/16" (106mm)	6-1/2" (165mm)	7-1/8" (181mm)
W6326ERFG	6" (152mm)	6.625 (168mm)	7/8" (22mm)	7-3/8" (187mm)	6-3/4" (172mm)	3-1/4" (83mm)	5-3/4" (146mm)	9-1/8" (232mm)	9-7/8" (251mm)

Hole Diameter: 7/16" (11mm); Hole Spacing - From End: 13/16" (21mm); Hole Spacing - On Center: 1-5/8" (41mm); Width: 1-5/8" (41mm); Thickness: 1/4" (6mm)



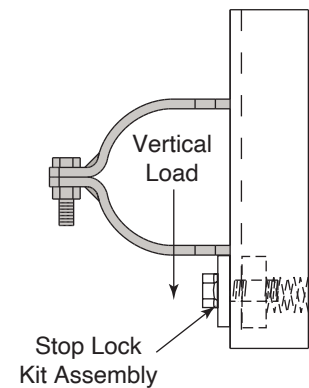
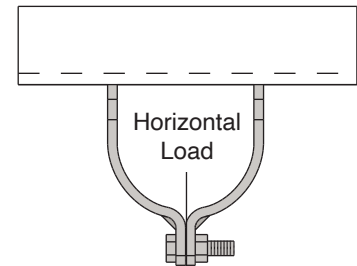
Rigid Pipe Clamps

- Interchangeable with Industry Standard Channel Framing
- Non-Metallic Clamps with Fasteners included
- Stainless Steel or Non-Metallic Fasteners
- Clamps fit IPS sizes 1/2" to 8" (13mm to 203mm)
- Ease of Installation
- No Special tools required
- Highly Corrosion Resistant: See Chemical Compatibility Table on pages 35 - 37, Type PU



Part No.	Pipe Size	Pipe OD	Design Load	
			Horizontal	Vertical
W6126APU	1/2" (13mm)	0.840 (21mm)	160 lb (0.71kN)	60 lb (0.27kN)
W6128APU	3/4" (19mm)	1.050 (27mm)	160 lb (0.71kN)	70 lb (0.31kN)
W6130APU	1" (25mm)	1.315 (33mm)	195 lb (0.87kN)	90 lb (0.40kN)
W6132APU	1-1/4" (32mm)	1.660 (42mm)	215 lb (0.96kN)	115 lb (0.51kN)
W6134APU	1-1/2" (38mm)	1.900 (48mm)	240 lb (1.07kN)	115 lb (0.51kN)
W6138APU	2" (51mm)	2.375 (60mm)	250 lb (1.11kN)	125 lb (0.56kN)
W6142APU	2-1/2" (61mm)	2.875 (70mm)	265 lb (1.18kN)	125 lb (0.56kN)
W6146APU	3" (76mm)	3.500 (89mm)	285 lb (1.27kN)	145 lb (0.65kN)
W6154APU	4" (102mm)	4.500 (114mm)	340 lb (1.51kN)	150 lb (0.67kN)
W6162APU	5" (127mm)	5.563 (141mm)	365 lb (1.62kN)	160 lb (0.71kN)
W6170APU	6" (152mm)	6.625 (168mm)	405 lb (1.80kN)	170 lb (0.76kN)
W6174APU	8" (203mm)	8.625 (219mm)	420 lb (1.87kN)	185 lb (0.82kN)

Standard material is Polyurethane (PU) Gray
 Fasteners are available in Stainless 316. (Add ST to the end of the part number)
 Design loads are based on minimum ultimate clamp failure safety factor of 3:1
 Load Ratings based on PU Fasteners. Higher load ratings are typically achieved with SS Fasteners

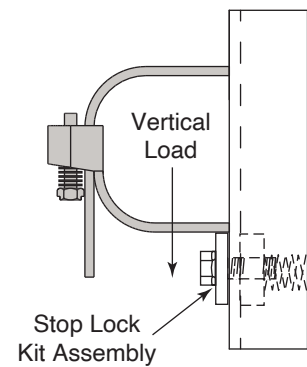
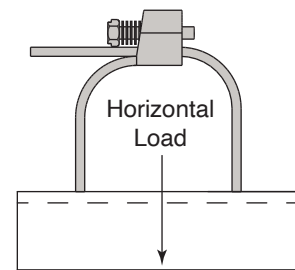
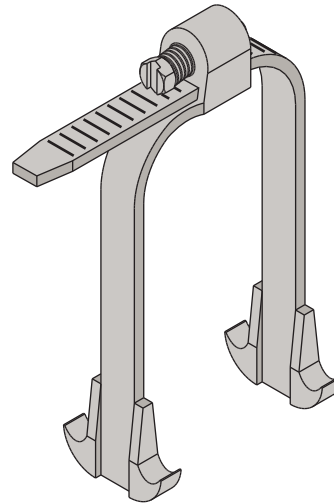
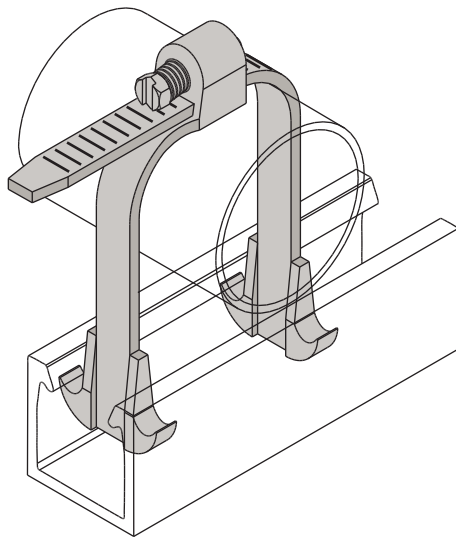


Hole Diameter: 7/16" (11mm); Hole Spacing - From End: 13/16" (21mm); Hole Spacing - On Center: 1-5/8" (41mm); Width: 1-5/8" (41mm); Thickness: 1/4" (6mm)



Adjustable Pipe Clamps

- Interchangeable with Industry Standard Channel Framing
- Non-Metallic
- Adjustable to U.S. and Metric Pipe Diameters
- Clamps fit Pipe Sizes $\frac{1}{2}$ " to $3\text{-}\frac{1}{2}$ " (13mm to 89mm)
- Larger sizes available for non-load bearing applications
- Simple installation
- No Special Tools Required
- Highly Corrosion Resistant: Type DLR



Part No.	Pipe Size	Pipe OD	Design Load		Maximum Torque
			Horizontal	Vertical	
APC050PU	$\frac{1}{2}$ " to $\frac{3}{4}$ " (13 to 19mm)	0.75" to 1.05" (19 to 27mm)	135 lb (0.60kN)	70 lb (0.29kN)	15 in-lbs
APC100PU	1" to $1\text{-}\frac{1}{2}$ " (25 to 38mm)	1.05" to 1.90" (27 to 48mm)	150 lb (0.67kN)	125 lb (0.57kN)	22 in-lbs
APC200PU	$1\text{-}\frac{1}{2}$ " to $2\text{-}\frac{1}{2}$ " (38 to 61mm)	1.90" to 2.87" (48 to 73mm)	150 lb (0.67kN)	125 lb (0.57kN)	22 in-lbs
APC300PU	$2\text{-}\frac{1}{2}$ " to $3\text{-}\frac{1}{2}$ " (61 to 89mm)	2.87" to 4.00" (73 to 102mm)	150 lb (0.67kN)	125 lb (0.57kN)	22 in-lbs

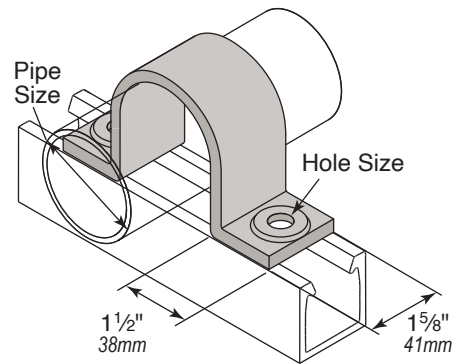
Standard material is Polyurethane (PU) Gray
 Design loads are based on minimum ultimate clamp failure safety factor of 3:1
 Note: Standard bag quantity of 25 each

Hole Diameter: $\frac{7}{16}$ " (11mm); Hole Spacing - From End: $\frac{13}{16}$ " (21mm); Hole Spacing - On Center: $1\text{-}\frac{5}{8}$ " (41mm); Width: $1\text{-}\frac{5}{8}$ " (41mm); Thickness: $\frac{1}{4}$ " (6mm)



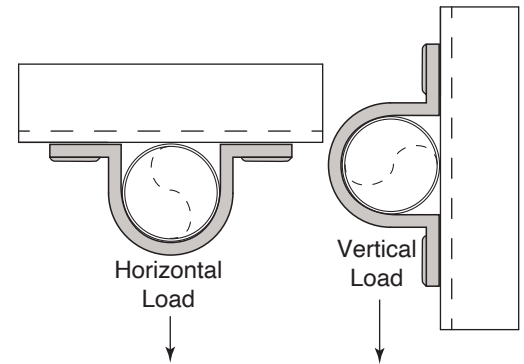
Two Hole Pipe Straps

- Non-Metallic
- Stainless Steel or Non-Metallic Fasteners
- Straps fit sizes 2" to 6" (51mm to 152mm)
- Mount to Wesanco channel or directly to other surfaces
- Highly Corrosion Resistant: See Chemical Compatibility Table on pages 35 - 37
- Design Loads are stated for Horizontal & Vertical applications
- Higher design loads possible when mounted to solid surface. Consult factory



Part No.	Pipe Size	Pipe OD	Hole Size	Design Load	
				Horizontal	Vertical
W7938PU	2" (51mm)	2.375 (60mm)	7/16" (11mm)	175 lb (0.78kN)	125 lb (0.57kN)
W7846PU	3" (76mm)	3.500 (89mm)		200 lb (0.89kN)	125 lb (0.57kN)
W7854PU	4" (102mm)	4.500 (114mm)		200 lb (0.89kN)	125 lb (0.57kN)
W7870PU	6" (152mm)	6.625 (168mm)	9/16" (14mm)	225 lb (1.00kN)	125 lb (0.57kN)

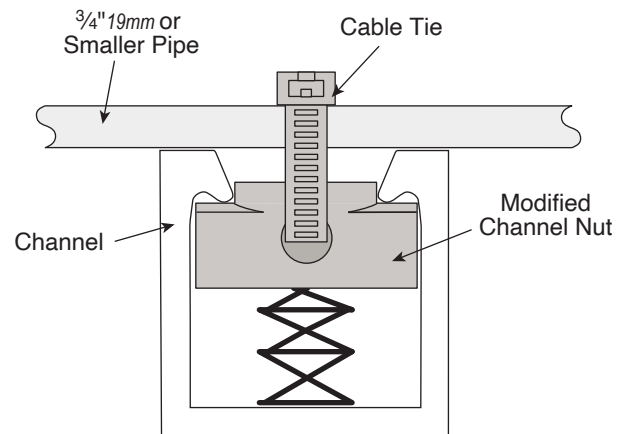
Standard strap material is Polyurethane, Polyester is available (substitute PF for PU in part number)
 Fasteners are separate order items
 Design loads are based on minimum ultimate clamp failure safety factor of 3:1
 Note: Standard bag quantity of 25 each for sizes 2" (51mm) thru 4" (102mm)
 Note: Call factory for design assistance



Adjustable Tubing Clamps

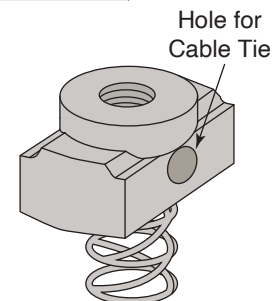
Designed for supporting process and instrumentation tubing under 3/4" (19mm) in diameter. Industry standard cable ties are held in place with modified Wesanco spring nuts.

- Non-Metallic
- Clamps fit tubing under 3/4" (19mm)
- Simple Installation
- No Special Tools Required
- Highly Corrosion Resistant: See Chemical Compatibility Table on pages 35 - 37, Type DLR



Part No.	Description	Channel Size	Design Load	
			Horizontal	Vertical
ABSN100PU	Attachment Block for Cable Tie	1-1/8" (29mm)	--	--
ABSN200PU	Attachment Block for Cable Tie	1-5/8" (41mm)	--	--
CT084PP50	Polypropylene Cable Tie 8.5" (216mm) Long	1-1/8" (29mm) & 1-5/8" (41mm)	20 lb (0.089kN)	10 lb (0.045kN)

Note: Standard bag quantity of 25 each

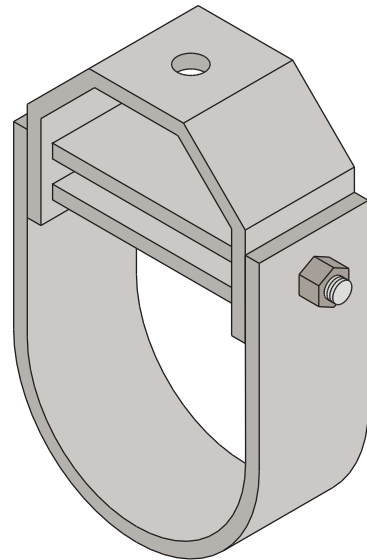


Hole Diameter: 7/16" (11mm); Hole Spacing - From End: 13/16" (21mm); Hole Spacing - On Center: 1-5/8" (41mm); Width: 1-5/8" (41mm); Thickness: 1/4" (6mm)



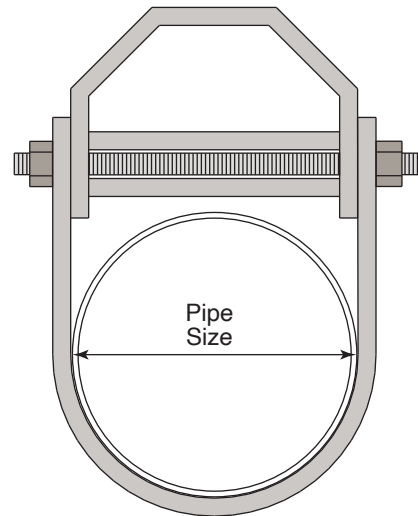
Clevis Hanger

- Sizes 1" to 4" (25mm to 102mm) Injection molded Polyester PE (Black) Special Order or Polyurethane PU (Gray) Stocked
- Size 6" (152mm) Injection molded Polyurethane PU (Gray). Profile is different that 1" thru 4"
- See Chemical Resistant Chart for material selection on pages 35 - 37
- No special tools required



Part No.		Pipe Size	Hanger OD	Hanger Rod Diameter	Design Load Uniform
Polyester FRP Black (PE)	Polyurethane Gray (PU)				
SCH100PE	SCH100PU	½" (13mm) to 1" (25mm)	1-½" (38mm)	⅜" (10mm)	225 lb (1.0kN)
SCH200PE	SCH200PU	1-¼" (32mm) to 2" (51mm)	2-½" (61mm)	½" (13mm)	280 lb (1.2kN)
SCH300PE	SCH300PU	2-½" (61mm) to 3" (76mm)	3-⅞" (98mm)	½" (13mm)	550 lb (2.5kN)
SCH400PE	SCH400PU	3-½" (89mm) to 4" (102mm)	5" (127mm)	½" (13mm)	650 lb (2.9kN)
SCH600PE	SCH600PU	4-½" (114mm) to 6" (152mm)	7" (178mm)	½" (13mm)	1,000 lb (4.5kN)

Design loads stated with a 3:1 safety factor.



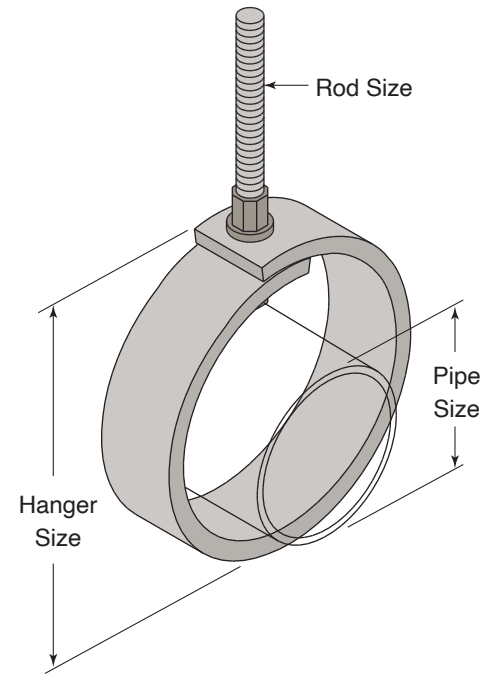
Hole Diameter: ⅞" (11mm); Hole Spacing - From End: 1⅜" (21mm); Hole Spacing - On Center: 1-⅝" (41mm); Width: 1-⅝" (41mm); Thickness: ¼" (6mm)



SuperHanger™

SuperHanger™ pipe hangers are comprised of all nonmetallic, corrosion resistant materials and maintenance free properties. SuperHanger™ is available for sizes 1" to 10" (25mm to 254mm) pipe size.

The patented SuperHanger™ pipe hanger design allows for ease of installation on both new and used pipe, structural strength for pipe loadings and sizes to support various pipe diameters. They come in multiple sizes and are ready for immediate availability.



Part No.	Pipe Size	Hanger Size	Threaded Rod Size	Design Load Lbs (kN)
SH001	¾" - 1"	3" (76mm)	⅜" (10mm)	100 Lbs (0.45kN)
SH002	1-¼" to 2"	4" (102mm)	⅜" (10mm)	450 Lbs (2.00kN)
SH003	2-½" - 3"	5" (127mm)	⅜" (10mm)	450 Lbs (2.00kN)
SH004	4"	6" (152mm)	⅜" (10mm) or ½" (13mm)	450 Lbs (2.00kN)
SH006	6"	10" (254mm)	½" (13mm)	650 Lbs (2.89kN)
SH008	8"	12" (305mm)	⅝" (16mm)	650 Lbs (2.89kN)
SH010	10"	14" (356mm)	⅝" (16mm)	650 Lbs (2.89kN)

Design loads are based on minimum ultimate hanger failure safety ratio factor of 3:1



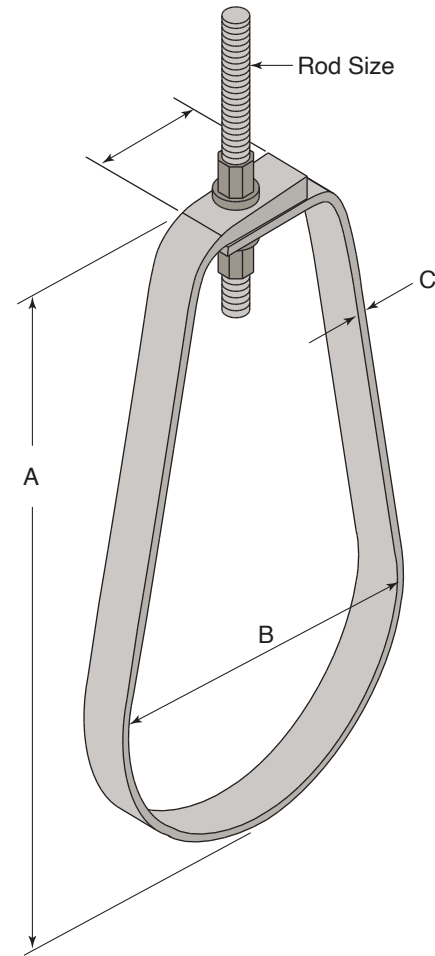
Hole Diameter: 7/16" (11mm); Hole Spacing - From End: 13/16" (21mm); Hole Spacing - On Center: 1-5/8" (41mm); Width: 1-5/8" (41mm); Thickness: 1/4" (6mm)



SuperLoop™

SuperLoop™ pipe hangers are comprised of all nonmetallic, corrosion resistant materials and maintenance free properties. For larger pipes use Super Loop Hanger. The SuperLoop™ is available for sizes from 3" to 16" (76mm to 406mm) diameter pipes.

The SuperLoop Hanger is great for industrial applications or commercial drainage pipes, where pipes sizes are considerably larger. The biggest advantage of using the Super Loop Hanger is that in any environment the Super Loop performs better than metallic counterparts, because of its rust-free properties.



Part No.	Pipe Size	Hanger O.D.	Hanger Rod Size	A	B	C	D	Design Load Lbs (kN)
SLH1200	12" (305mm)	13-1/2" (343mm)	3/4" (19mm)	20.5" (521mm)	13.50" (343mm)	0.40 (10mm)	2.76 (70mm)	1,330 Lbs (5.92kN)
SLH1400	14" (356mm)	14" (356mm)	1" (25mm)	21.1" (536mm)	14.02" (356mm)	0.40 (10mm)	2.76 (70mm)	1,500 Lbs (6.67kN)
SLH1600	16" (406mm)	16" (406mm)	1" (25mm)	24.3" (617mm)	16.00" (406mm)	0.40 (10mm)	2.76 (70mm)	2,070 Lbs (9.21kN)
SLH1800	18" (457mm)	18" (457mm)	1" (25mm)	27.0" (686mm)	18.39" (467mm)	0.40 (10mm)	2.76 (70mm)	2,070 Lbs (9.21kN)
SLH2000	20" (508mm)	20" (508mm)	1" (25mm)	30.0" (762mm)	20.00" (508mm)	0.40 (10mm)	2.76 (70mm)	2,070 Lbs (9.21kN)
SLH2400	24" (610mm)	24" (610mm)	1" (25mm)	36.0" (914mm)	23.98" (609mm)	0.40 (10mm)	2.76 (70mm)	2,070 Lbs (9.21kN)

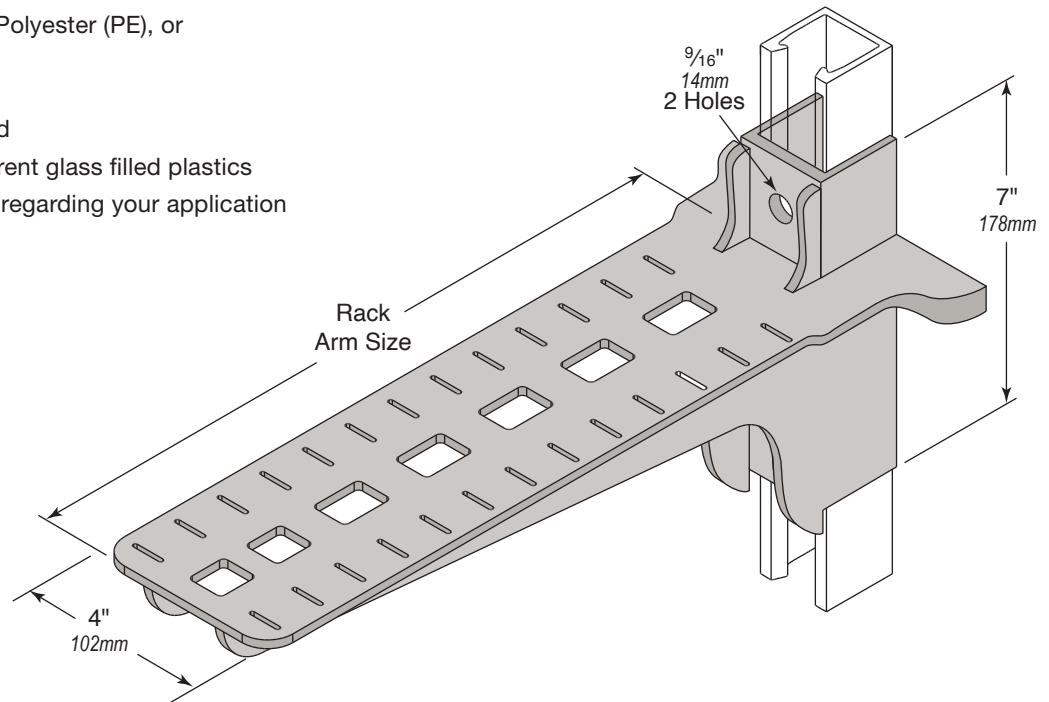
Design loads are based on minimum ultimate hanger failure safety ratio factor of 3:1

Hole Diameter: 7/16" (11mm); Hole Spacing - From End: 13/16" (21mm); Hole Spacing - On Center: 1-5/8" (41mm); Width: 1-5/8" (41mm); Thickness: 1/4" (6mm)



Rack Arms

- Cables, tubing, conduit or piping can be attached to rack arm using Wesanco adjustable or rigid clamps, or Tie-Wraps
- Rack arms can be attached to Wesanco channel with 1/2" (13mm) spring nut P/N W2-8FG or 1/2" (13mm) channel nut P/N W2-8WSPU
- All Non-Metallic - Non-Conductive & Corrosion Resistant
- Available in Nylon (NY), Polyester (PE), or Polyurethane (PU)
- Ease of Installation
- No Special tools required
- Available in several different glass filled plastics
- Consult with the factory regarding your application



Part No.		Rack Arm Size	Design Load Concentrated	Design Load Uniform
Polyurethane Gray (PU)	Glass Filled Nylon Black (NY)			
RA1400PU	RA1400NY	14" (356mm)	600 lb (2.7kN)	600 lb (2.7kN)
RA2000PU	RA2000NY	20" (508mm)	600 lb (2.7kN)	600 lb (2.7kN)

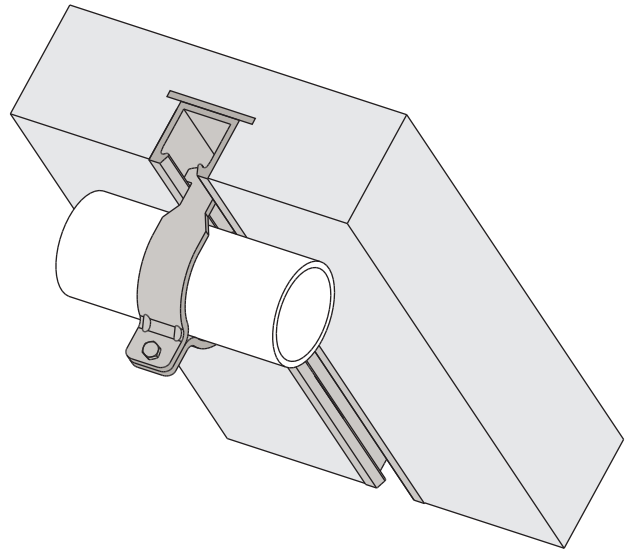
Uniform Load applied over full length of arm
 Concentrated Load applied 8" (203mm) from bolted surface
 Factor of Safety: 3:1

Hole Diameter: 7/16" (11mm); Hole Spacing - From End: 13/16" (21mm); Hole Spacing - On Center: 1-5/8" (41mm); Width: 1-5/8" (41mm); Thickness: 1/4" (6mm)

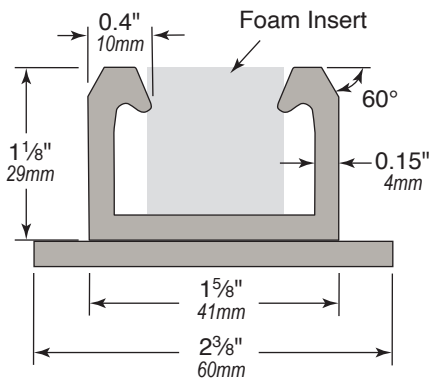
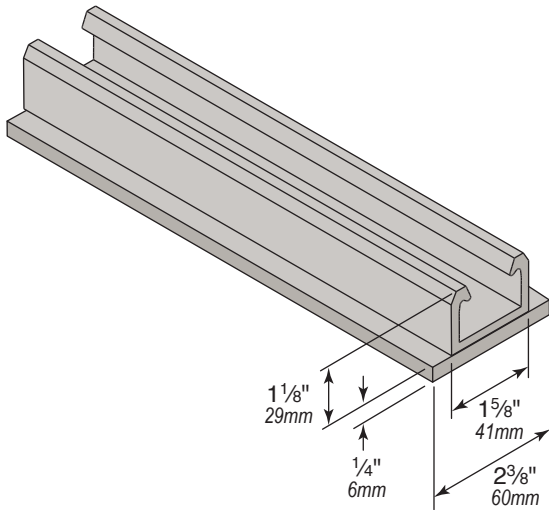


Concrete Inserts

In certain applications, it is necessary to embed a corrosion resistant channel into a new pouring of concrete. For these applications, concrete insert channel is recommended. Channel is available in two material types; polyester and vinyl ester. The concrete insert is available in either 1-1/8" or 1-5/8" channel profiles. Mounting the insert flush with the concrete surface is a convenient way to secure piping, conduits or electrical enclosures. Insert is shipped ready for installation with factory installed Cello-Foam filler strip.

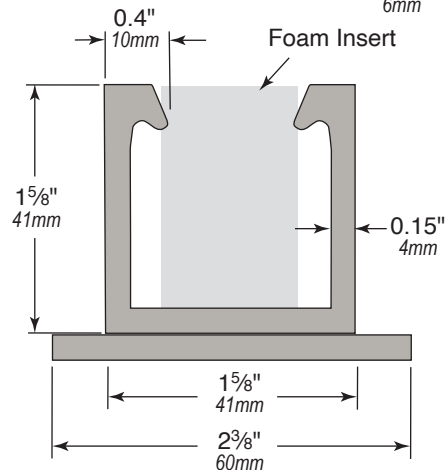
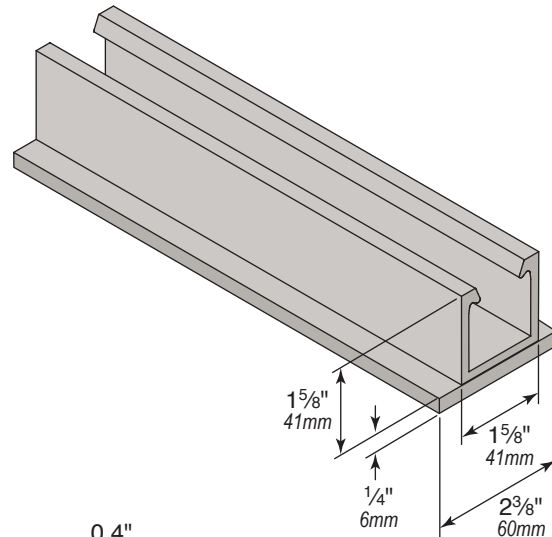


1-1/8" x 1-1/8" Concrete Insert



Part No.	Material
W7565EPF	Polyester Fire Rated FRP Gray
W7565EVF	Vinyl Ester Fire Rated FRP Beige

1-5/8" x 1-5/8" Concrete Insert



Part No.	Material
W7265EPF	Polyester Fire Rated FRP Gray
W7265EVF	Vinyl Ester Fire Rated FRP Beige



Chemical Resistance Chart



Use the following guide to determine which material in the Wesanco system provides the best performance for your application.

Chemical	Polyester Fire Rated Fiber-glass (PF)		Vinyl Ester Fire Rated Fiber-glass (VF)		Polyurethane (PU)	
	70°	160°F	70°	160°F	70°	160°F
Acetic Acid, Up to 10%	R	R	R	R	R	-
Acetic Acid, Up to 50%	R	R	R	R	R	-
Acetone, Up to 10%	NR	NR	NR	NR	R	-
Aluminum Hydroxide	R	R	R	R	R	-
Ammonia Gas (dry)	NR	NR	R	100	R	-
Ammonium Hydroxide (Aqueous Ammonia), Up to 5%	NR	NR	R	R	R	-
Ammonium Hydroxide, Up to 10%	NR	NR	R	150°	R	-
Ammonium Hydroxide, Up to 20%	NR	NR	R	150°	R	-
Ammonium Nitrate	R	R	R	R	R	-
Ammonium Phosphate	R	R	R	R	R	-
Ammonium Sulfide, saturated	NR	NR	R	120°	R	-
Aqua Regia, fumes	NR	NR	R	150°	NR	-
Barium Hydroxide 10%	NR	NR	R	120°	R	-
Benzene	NR	NR	NR	NR	R	R
Benzoic Acid	R	R	R	R	R	-
Bromine, wet gas	NR	NR	R	100°	-	-
Butylene Glycol, Up to 100%	R	R	R	R	R	-
Butyric Acid, Up to 50%	R	R	R	R	R	-
Calcium Hydroxide	R	NR	R	R	R	-
Chlorine, Dry Gas	NR	NR	R	R	R	-
Chlorine, Wet Gas	NR	NR	R	R	-	-
Chlorine, Liquid	NR	NR	NR	NR	-	-
Chlorine, Water	R	R	R	R	R	-
Chromic Acid, Up to 5%	NR	NR	R	R	-	-
Chromic Acid, Up to 20%	NR	NR	R	R	-	-
Citric Acid	R	R	R	R	R	-
Copper Chloride	R	R	R	R	R	-
Copper Cyanide	R	NR	R	R	R	-
Copper Fluoride	R	NR	R	R	R	-
Copper Nitrate	R	R	R	R	R	-
Copper Sulfate	R	R	R	R	R	-
Dechlorinated Brine Storage	-	-	R	R	R	-
Esters, Fatty Acid	R	R	R	R	R	-
Fatty Acids	R	R	R	R	R	-
Ferric Chloride	R	R	R	R	R	-
Ferric Nitrate	R	R	R	R	R	-

Chemical	Polyester Fire Rated Fiber-glass (PF)		Vinyl Ester Fire Rated Fiber-glass (VF)		Polyurethane (PU)	
	70°	160°F	70°	160°F	70°	160°F
Ferrous Chloride	R	R	R	R	R	-
Fluoboric Acid	R	120°	R	R	-	-
Fluosilicic Acid, Up to 10%	NR	NR	R	R	-	-
Fluosilicic Acid, Up to 32%	NR	NR	R	100°	-	-
Formic Acid, Up to 10%	NR	NR	R	R	R	-
Formic Acid, Up to 50%	NR	NR	R	100°	R	-
Gasoline, Aviation	R	NR	R	R	R	-
Green Liquor, Pulp Mill	-	-	R	R	-	-
Hydrochloric Acid, Up to 15%	R	NR	R	R	R	-
Hydrochloric Acid, Up to 37%	R	NR	R	R	R	-
Hydrofluoric Acid, Up to 10%	NR	NR	R	150°	-	-
Hydrofluoric Acid, Up to 20%	NR	NR	R	100°	-	-
Hydrogen Chloride Wet Gas	R	NR	R	R	NR	-
Hydrogen Peroxide 50%	NR	NR	R	R	R	-
Hydrogen Sulfide Wet Gas	R	NR	R	R	R	-
Lactic Acid	R	NR	R	R	R	-
Lead Nitrate	-	-	R	R	R	-
Magnesium Hydroxide	NR	NR	R	R	R	-
Mercurous Chloride	R	NR	R	R	-	-
Methyl Ethyl Ketone	NR	NR	NR	NR	NR	-
Methylene Chloride	NR	NR	NR	NR	NR	-
Nickel Sulfate, Low PH	NR	NR	R	R	R	-
Nitric Acid, Up to 5%	NR	NR	R	150°	R	-
Nitric Acid, Up to 35%	NR	NR	R	120°	R	-
Nitric Acid, Vapor	NR	NR	R	R	-	-
Perchloric Acid, Up to 10%	NR	NR	R	150°	-	-
Pickling Acid, 3-5% H2SO4	R	R	R	R	R	-
Phosphoric Acid, (115%, P20%)	NR	NR	R	R	-	-
Phosphoric Acid, Vapor or Condensate	NR	NR	R	R	-	-
Potassium Chloride	R	R	R	R	R	-
Potassium Nitrate	R	R	R	R	R	-
Potassium Persulfate	NR	NR	R	R	R	-
Sea Water	R	R	R	R	R	-
Silver Cyanide, Up to 5%	NR	NR	R	R	R	-
Sodium Chloride	R	R	R	R	-	-
Sodium Hydroxide, Up to 25%	NR	NR	R	150°	R	-
Sodium Hydroxide, Up to 50%	NR	NR	R	180°	-	-
Sodium Hypochlorite, Up to 15%	NR	NR	R	150°	R	-
Sodium Nitrate	R	R	R	R	R	-

Chemical	Polyester Fire Rated Fiber-glass (PF)		Vinyl Ester Fire Rated Fiber-glass (VF)		Polyurethane (PU)	
	70°	160°F	70°	160°F	70°	160°F
Sodium Sulfate	R	NR	R	R	R	-
Sodium Sulfide	NR	NR	R	R	R	-
Sulfuric Acid, Up to 25%	R	R	R	R	R	-
Sulfuric Acid, Up to 50%	NR	NR	R	R	R	-
Sulfuric Acid, Up to 70%	NR	NR	R	R	R	-
Sulfuric Acid, Up to 75%	NR	NR	R	120°	-	-
Sulfuric Acid, Up to 80%	NR	NR	NR	NR	NR	-
Sulfuric Acid, Vapor	R	NR	R	R	R	-
Tannic Acid	R	NR	R	R	R	-
Trichlorethylene, Fumes	NR	120°	R	R	R	-
Trisodium Phosphate	R	NR	R	R	R	-
Urea	R	NR	R	150°	R	-
Vegetable Oils	R	R	R	R	R	-
Vinegar	R	R	R	R	R	-
Water, Deionized	R	R	R	R	R	-
White Liquor, Pulp Mill	-	-	R	R	-	-
Zinc Chloride	R	R	R	R	-	-

Note:

The recommendations contained in this guide are made without representation as to results. Since the actual use by others is beyond our control, no guarantee expressed or implied, is made by Wesanco, as to the effects of such use or the results to be obtained nor does Wesanco assume any liability arising out of the use by others of the products referenced in this guide. Nor is this information herein to be construed as absolutely complete since additional information may be needed or desirable when particular or exceptional conditions or circumstances exist or because of applicable laws or government regulations. We suggest that you evaluate these recommendations and suggestions in your own laboratory prior to use. Our responsibility for claims arising from breach of warranty, negligence, or otherwise is limited to the purchase price of the material.

Warranty:

Every Wesanco product has been carefully inspected during manufacturing, and prior to shipment.

We guarantee to correct any defect called to our attention in writing within six months after shipment, caused by faulty material or workmanship.

The buyers exclusive remedy shall be repair and/or replacement, at Wesanco's discretion, of the defective parts.

The parties further agree that no other remedy (including but not limited to, incidental or consequential damages for lost profits, lost sales, injury to person or property, negligence in the design, installation, or repair of the product, or any other incidental or consequential loss) shall be available.

The parties further agree that all other warranties, express or implied (including but not limited to, any implied warranty of merchantability or fitness for a particular purpose) are excluded.

1.0 SCOPE

1.1 This specification covers the requirements for the Wesanco non-metallic channel framing system.

2.0 SYSTEM REQUIREMENTS

2.1 To provide single source responsibility, the channel framing and components including purchasing options after startup, the supplied system (including pipe clamps) must be interchangeable with industry standard 1-⁵/₈" (41mm) steel and fiberglass channel framing systems.

3.0 MATERIALS

3.1 This specification is for Polyester (standard) or Vinyl Ester (premium Corrosion Resistant resins as required for all fiberglass materials. Polyurethane thermoplastics are required for injection molded components.

3.2 Flame spread properties shall be as follows: Vinyl Ester Fiberglass (Series VF) Class 1 ASTM E-84 Polyester Fiberglass (Series PF) Class 1 ASTM E-84 Polyurethane V-O UL 94V PVC (Capping Strip) 5V & V-O UL 94

3.3 Fiberglass Channel physical properties shall be as shown in chart below:

4.0 CHANNEL FRAMING & SYSTEM COMPONENTS

4.1 Channel Framing Series 100 & 200

4.1.1 All fiberglass channels shall be manufactured using either vinyl ester or polyester resin. Resin selection must meet requirements of the Wesanco chemical resistance chart. Fiberglass channel sizes shall have polyester surface veil over 100% of the surface to provide protection against degradation from ultraviolet light.

4.1.2 Vertical channel sections supporting the horizontal piping require stop lock hardware at each pipe clamp to prevent slippage. Stop lock hardware combines a channel nut, bolt and mounting plate attached under the pipe clamp.

4.2 Pipe Clamps

4.2.1 Adjustable Pipe Clamps shall be non-metallic and non conductive, manufactured by the injection molded process using thermoplastic polyurethane. Maximum pipe diameter supported by adjustable clamps shall be 3" (76mm).

4.2.2 Glass Filled Rigid Pipe Clamps for pipe and conduit under 8 inches (203mm) shall be non-metallic and non-conductive; manufactured by the injection molded process using thermoplastic polyurethane or polyester. Resin selection must meet requirements of the Wesanco chemical resistance chart. Rigid pipe clamps for pipe and conduit over 8" (203mm) shall be thermoset vinyl ester fiberglass, and shall be manufactured by either hand laminations or resin transfer molded. Injection molded parts for pipe and conduit sizes over 8" (203mm) are not acceptable.

4.3 Channel Fittings & Post Bases

4.3.1 All channel fittings and post bases shall be made from glass filled polyurethane or polyester. Resin selection must meet requirements of the Wesanco chemical resistance chart.

4.4 Fasteners

4.4.1 All fasteners shall be made from one of the following materials: Glass filled polyurethane, vinyl ester fiberglass, stainless steel. Resin selection must meet requirements of the Wesanco chemical resistance chart.

5.0 ACCEPTABLE MANUFACTURER

5.1 Wesanco 800-323-7053 - www.ZSIINC.com

Item	Longitudinal Vinyl Ester	Transverse Vinyl Ester	Longitudinal Polyester	Transverse Polyester
Tensile Strength (psi)	37,000	10,000	30,000	7,000
Tensile Modulus (psi) x 10 ⁶	3.0	1.0	2.5	0.8
Flexural Strength (psi)	37,000	14,000	20,000	10,000
Flexural Modulus (psi) x 10 ⁶	2.0	1.0	1.6	0.8
Compressive Strength	37,500	20,000	30,000	15,000
Shear Strength (psi)	6,000	5,500	5,500	5,500
Izod Impact ft. lbs /in.	30	5	28	4

Description	Page	Description	Page	Description	Page
1-5/8" x 1-1/8" Solid Channel	10	Five Hole Tee Gusset	18	Spring Nut Hex Bolts	13
1-5/8" x 1-1/8" Concrete Insert	34	Flanged Hex Bolts	13	Standard Beam Clip Assembly	23
1-5/8" x 1-1/8" Channel	8	Flat Plates Fittings	15	Standard Duty Polyurethane Nuts	14
1-5/8" x 1-5/8" Concrete Insert	34	Four Hole 45° Angle	19	Standard U-Bolts	25
1-5/8" x 2-1/4" Back-to-Back Channel	10	Four Hole 90° Angle	20	Stop-Lock Kit	12
1-5/8" x 3-1/4" Back-to-Back Channel	8	Four Hole Corner	16	SuperHanger	31
Adjustable Pipe Clamps	28	Four Hole Corner Gusset	17	SuperLoop	37
Adjustable Tubing Clamps	29	Four Hole Self 90° Angle	21	Threaded Rod	14
Angle Fittings	20	Four Hole Splice	16	Threaded Rod Couplers	14
Beam Clamps	24	Four Hole Tee	17	Three Hole "U" Shape Support	21
Beam Clips	23	General Beam Clip Arrangement	23	Three Hole 90° Angle	20
Channel Nuts	12	Heavy Duty Flanged Hex Nuts	14	Three Hole Corner	16
Channel Space	12	Large Beam Clamp	24	Three Hole Corner Gusset	17
Clevis Hanger	30	One Hole Washer	15	Three Hole Splice	15
Concrete Inserts	34	Polyester and Vinyl Ester Resins	6	Trapeze Using Beam Clip	23
Double Post Base	22	Post Bases	22	Two Hole 90° Angle	20
Extended Reach U-Bolts	26	Rack Arms	33	Two Hole Pipe Straps	29
Fender Washers	14	Rigid Pipe Clamps	27	Two Hole Splice	15
Five Hole Corner Gusset	18	Seven Hole Cross Gusset	19	Two Hole Swivel Plate	19
Five Hole Cross	18	Single Post Base	22	Universal 90° Angle	21
Five Hole Splice	16	Six Hole Tee Gusset	18	Washers	14
Five Hole Tee	17	Small Beam Clamp	24		
ABS N100PU	29	HHCS50X300PU	13	SH003	31
ABS N200PU	29	HHCS50X300S6	13	SH004	31
APC050PU	28	HHCS75X200PU	13	SH006	31
APC100PU	28	HHCS75X200S6	13	SH008	31
APC200PU	28	HHFB25X075PU	13	SH010	31
APC300PU	28	HHFB25X100PU	13	SLH1200	32
BC500VFSS-SN-2	23	HHFB25X125PU	13	SLH1400	32
BCS250VF-2	23	HHFB25X150PU	13	SLH1600	32
BCS375VF-2	23	HHFB31X150PU	13	SLH1800	32
BCS500VF-2	23	HHFB37X100PU	13	SLH2000	32
CT084PP50	29	HHFB37X125PU	13	SLH2400	32
FHN100PU	14	HHFB37X150PU	13	SLK-375	12
FHN31PU	14	HHFB37X200PU	13	SLK-500	12
FHN37PU	14	HHFB37X250PU	13	SPA037PVC	12
FHN50PU	14	HHFB37X300PU	13	SPA050PVC	12
FHN62PU	14	HHFB50X100PU	13	W2-10WSNY	12
FHN75PU	14	HHFB50X125PU	13	W2-10WSPU	12
FW100PU	14	HHFB50X150PU	13	W2-12WSNY	12
FW25PU	14	HHFB50X200PU	13	W2-12WSPU	12
FW37PU	14	HHFB50X250PU	13	W2-4FG	12
FW50PU	14	HHFB50X300PU	13	W2-6FG	12
FW62PU	14	HHFB50X350PU	13	W2-6WSNY	12
FW75PU	14	HN25PU	14	W2-6WSPU	12
FWPU75X225	14	HN25S6	14	W2-8FG	12
HHCS25X075PU	13	HN31PU	14	W2-8WSNY	12
HHCS25X075S6	13	HN31S6	14	W2-8WSPU	12
HHCS25X100PU	13	HN37PU	14	W200EHPF	8
HHCS25X100S6	13	HN37S6	14	W200EHVF	8
HHCS25X125PU	13	HN50PU	14	W200PF	8, 9
HHCS25X125S6	13	HN50S6	14	W200VF	8
HHCS31X125PU	13	HN62PU	14	W201EHFP	8
HHCS31X125S6	13	HN62S6	14	W201EHVF	8
HHCS31X200PU	13	HN75PU	14	W201PF	8, 9
HHCS31X200S6	13	HN75S6	14	W201VF	8
HHCS37X100PU	13	LBC375PU	24	W5-4FG	12
HHCS37X100S6	13	LBC500PU	24	W5-6FG	12
HHCS37X125PU	13	LBCR375PU	24	W5-8FG	12
HHCS37X125S6	13	LBCR500PU	24	W5007PF	15
HHCS37X150PU	13	RA1400NY	33	W5007VF	15
HHCS37X150S6	13	RA1400PU	33	W5008PF	15
HHCS37X200PU	13	RA2000NY	33	W5008VF	15
HHCS37X200S6	13	RA2000PU	33	W5009PF	16
HHCS37X250PU	13	SBC375PU	24	W5009VF	16
HHCS37X250S6	13	SBC500PU	24	W5010PF	16
HHCS37X300PU	13	SCH100PE	30	W5010VF	16
HHCS37X300S6	13	SCH100PU	30	W5011PF	19
HHCS50X100PU	13	SCH200PE	30	W5011VF	19
HHCS50X100S6	13	SCH200PU	30	W5020PF	17
HHCS50X125PU	13	SCH300PE	30	W5020VF	17
HHCS50X125S6	13	SCH300PU	30	W5021PF	16
HHCS50X150PU	13	SCH400PE	30	W5021VF	16
HHCS50X150S6	13	SCH400PU	30	W5022MPF	17
HHCS50X200PU	13	SCH600PE	30	W5022MVF	17
HHCS50X200S6	13	SCH600PU	30	W5022PF	17
HHCS50X250PU	13	SH001	31	W5022VF	17
HHCS50X250S6	13	SH002	31	W5023PF	18
				W5023VF	18
				W5024PF	17
				W5024VF	17
				W5025PF	16
				W5025VF	16
				W5027PF	18
				W5027VF	18
				W5028PF	18
				W5028VF	18
				W5029PF	19
				W5029VF	19
				W5032PF	18
				W5032VF	18
				W5035PF-375	19
				W5035PF-500	19
				W5035VF-375	19
				W5035VF-500	19
				W5053PF	15
				W5053VF	15
				W5054PF	15
				W5054VF	15
				W5055PF	15
				W5055VF	15
				W5056PF	15
				W5056VF	15
				W5103PF	20
				W5103VF	20
				W5109PF	21
				W5109VF	21
				W5113PF	20
				W5113VF	20
				W5124PF	21
				W5124PU	21
				W5125MPF	20
				W5125MVF	20
				W5125PF	20
				W5125VF	20
				W5312PF	21
				W5312PU	21
				W5814SQPE	22
				W5814SQPU	22
				W5816SQPE	22
				W5816SQPU	22
				W6126APU	27
				W6128APU	27
				W6130APU	27
				W6132APU	27
				W6134APU	27
				W6138APU	27
				W6142APU	27
				W6146APU	27
				W6154APU	27
				W6162APU	27
				W6170APU	27
				W6174APU	27
				W6304FG	25
				W6306FG	25
				W6308ERFG	26
				W6308FG	25
				W6310FG	25
				W6312ERFG	26
				W6312FG	25
				W6314ERFG	26
				W6314FG	25
				W6316FG	25
				W6318ERFG	26
				W6318FG	25
				W6320FG	25
				W6322ERFG	26
				W6322FG	25
				W6326ERFG	26
				W7125STS612FT	14
				W7125VE8FT	14
				W7126STS612FT	14
				W7126VE8FT	14
				W7127STS612FT	14
				W7127VE8FT	14
				W7128STS612FT	14
				W7128VE8FT	14
				W7131STS612FT	14
				W7131VE8FT	14
				W7135PU	14
				W7135S6	14
				W7136PU	14
				W7136S6	14
				W7137PU	14
				W7137S6	14
				W7138PU	14
				W7138S6	14
				W7265EPF	34
				W7265EVF	34
				W7565EPF	34
				W7565EVF	34
				W7846PU	29
				W7854PU	29
				W7870PU	29
				W7938PU	29
				W800EHPF	10
				W800EHVF	10
				W800PF	10, 11
				W800VF	10
				W801EHPF	10
				W801EHVF	10
				W801PF	10, 11
				W801VF	10



● Main Office
● Facilities

IDEALTRIDONGROUP.COM | SUPPORT | SECURE | CONNECT

GLOBAL HEADQUARTERS

8100 TRIDON DRIVE SMYRNA , TN USA 800.251.3220 | 615.459.5800

USA | CANADA | MEXICO | CHINA | POLAND | ITALY | IRELAND | NETHERLANDS | UK

ZSI

1751 Summit Dr • Auburn Hills, MI 48326 US
Customer Service: (800) 323-7053

Wesanco, FL

6100 SE 78th St • Ocala, FL 34472
Customer Service: (877) 245-7581

Wesanco, CA

12822 Monarch Street • Garden Grove, CA 92841
Customer Service: (714) 739-4989

Wesanco, NJ

100 Maltese Drive • Totowa, NJ 07512
Customer Service: (800) 228-3772

ZSIINC.COM | 800-323-7053

ZSi & Wesanco are part of the Ideal Tridon Group. Learn more at idealtridongroup.com

© Copyright 2024 Ideal Tridon Group / Printed & Designed in the USA / 08-24-R3

