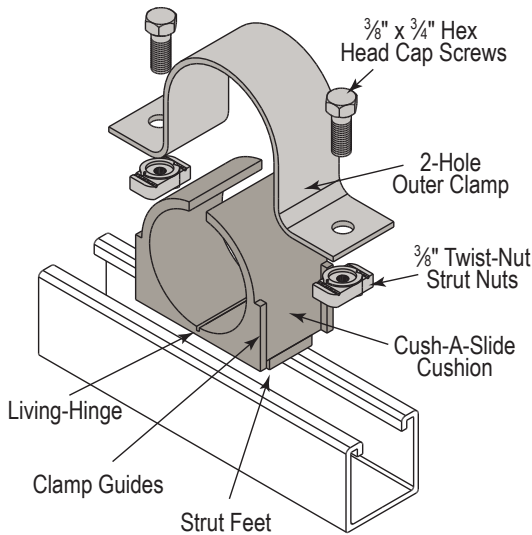
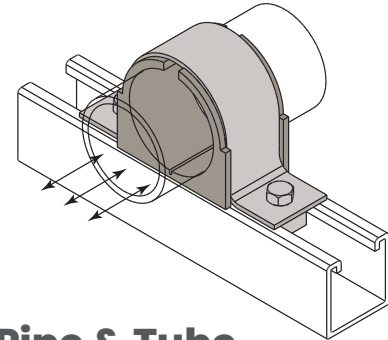




CUSH-A-SLIDE™

FOR APPLICATIONS NEEDING LATERAL PIPE MOVEMENT



Supports Pipe & Tube

- The Cushion is made from thermoplastic elastomer with multiple temperature range options available, and all are built tough to withstand many harsh environments and demanding applications.
- The Outer 2-hole strap is available in Steel Electro Galvanized Gold or Silver, Stainless Steel Type 304, and Stainless-Steel Type 316.
- The "Living Hinge" allows the cushion to be spread apart for quick, easy installation
- The Cushion is Completely Captured within the Outer Clamp with Zero Compression and if desired it can be used in an oversized condition to allow for Lateral Pipe Movement.
- Provides excellent Protection from shock and vibration.
- Comes with all components and mounting hardware.



Cush-A-Slide (CN) Standard	Cush-A-Slide (HT) High Temp	Cush-A-Slide (HIT) High Intensity Temp
-50°F to 275°F (-45°C to 135°C)	-65°F to 340°F (-53°C to 170°C)	-65°F to 400°F (-53°C to 204°C)



Tube Sizes		Cush-A-Slide (CN) Standard			Cush-A-Slide (HT) High Temp			Cush-A-Slide (HIT) High Intensity Temp		
		-50°F to 275°F (-45°C to 135°C)			-65°F to 340°F (-53°C to 170°C)			-65°F to 400°F (-53°C to 204°C)		
O.D. Tube Size		Tube - Part No.			Tube - Part No.			Tube - Part No.		
		Steel	SS304	SS316	Steel	SS304	SS316	Steel	SS304	SS316
1/4"	0.25" (6mm)	CAS04	CAS04SS	CAS04S6	HTCAS04	HTCAS04SS	HTCAS04S6	HITCAS04	HITCAS04SS	HITCAS04S6
3/8"	0.37" (9mm)	CAS06	CAS06SS	CAS06S6	HTCAS06	HTCAS06SS	HTCAS06S6	HITCAS06	HITCAS06SS	HITCAS06S6
1/2"	0.50" (13mm)	CAS08	CAS08SS	CAS08S6	HTCAS08	HTCAS08SS	HTCAS08S6	HITCAS08	HITCAS08SS	HITCAS08S6
5/8"	0.62" (16mm)	CAS10	CAS10SS	CAS10S6	HTCAS10	HTCAS10SS	HTCAS10S6	HITCAS10	HITCAS10SS	HITCAS10S6
3/4"	0.75" (19mm)	CAS12	CAS12SS	CAS12S6	HTCAS12	HTCAS12SS	HTCAS12S6	HITCAS12	HITCAS12SS	HITCAS12S6
7/8"	0.87" (22mm)	CAS14	CAS14SS	CAS14S6	HTCAS14	HTCAS14SS	HTCAS14S6	HITCAS14	HITCAS14SS	HITCAS14S6
1"	1.00" (25mm)	CAS16	CAS16SS	CAS16S6	HTCAS16	HTCAS16SS	HTCAS16S6	HITCAS16	HITCAS16SS	HITCAS16S6
1 1/8"	1.12" (28mm)	CAS18	CAS18SS	CAS18S6	HTCAS18	HTCAS18SS	HTCAS18S6	HITCAS18	HITCAS18SS	HITCAS18S6
1 1/4"	1.25" (32mm)	CAS20	CAS20SS	CAS20S6	HTCAS20	HTCAS20SS	HTCAS20S6	HITCAS20	HITCAS20SS	HITCAS20S6
1 3/8"	1.37" (35mm)	CAS22	CAS22SS	CAS22S6	HTCAS22	HTCAS22SS	HTCAS22S6	HITCAS22	HITCAS22SS	HITCAS22S6
1 1/2"	1.50" (38mm)	CAS24	CAS24SS	CAS24S6	HTCAS24	HTCAS24SS	HTCAS24S6	HITCAS24	HITCAS24SS	HITCAS24S6
1 5/8"	1.62" (41mm)	CAS26	CAS26SS	CAS26S6	HTCAS26	HTCAS26SS	HTCAS26S6	HITCAS26	HITCAS26SS	HITCAS26S6
1 3/4"	1.75" (45mm)	CAS28	CAS28SS	CAS28S6	HTCAS28	HTCAS28SS	HTCAS28S6	HITCAS28	HITCAS28SS	HITCAS28S6
1 7/8"	1.87" (48mm)	CAS30	CAS30SS	CAS30S6	HTCAS30	HTCAS30SS	HTCAS30S6	HITCAS30	HITCAS30SS	HITCAS30S6
2"	2.00" (51mm)	CAS32	CAS32SS	CAS32S6	HTCAS32	HTCAS32SS	HTCAS32S6	HITCAS32	HITCAS32SS	HITCAS32S6
2 1/8"	2.12" (54mm)	CAS34	CAS34SS	CAS34S6	HTCAS34	HTCAS34SS	HTCAS34S6	HITCAS34	HITCAS34SS	HITCAS34S6
2 1/4"	2.25" (57mm)	CAS36	CAS36SS	CAS36S6	HTCAS36	HTCAS36SS	HTCAS36S6	HITCAS36	HITCAS36SS	HITCAS36S6
2 3/8"	2.37" (60mm)	CAS38	CAS38SS	CAS38S6	HTCAS38	HTCAS38SS	HTCAS38S6	HITCAS38	HITCAS38SS	HITCAS38S6
2 1/2"	2.50" (64mm)	CAS40	CAS40SS	CAS40S6	HTCAS40	HTCAS40SS	HTCAS40S6	HITCAS40	HITCAS40SS	HITCAS40S6
2 5/8"	2.62" (66mm)	CAS42	CAS42SS	CAS42S6	HTCAS42	HTCAS42SS	HTCAS42S6	HITCAS42	HITCAS42SS	HITCAS42S6
2 7/8"	2.87" (73mm)	CAS46	CAS46SS	CAS46S6	HTCAS46	HTCAS46SS	HTCAS46S6	HITCAS46	HITCAS46SS	HITCAS46S6
3"	3.00" (76mm)	CAS48	CAS48SS	CAS48S6	HTCAS48	HTCAS48SS	HTCAS48S6	HITCAS48	HITCAS48SS	HITCAS48S6
3 1/8"	3.12" (79mm)	CAS50	CAS50SS	CAS50S6	HTCAS50	HTCAS50SS	HTCAS50S6	HITCAS50	HITCAS50SS	HITCAS50S6
3 1/2"	3.50" (89mm)	CAS56	CAS56SS	CAS56S6	HTCAS56	HTCAS56SS	HTCAS56S6	HITCAS56	HITCAS56SS	HITCAS56S6
4"	4.00" (102mm)	CAS64	CAS64SS	CAS64S6	HTCAS64	HTCAS64SS	HTCAS64S6	HITCAS64	HITCAS64SS	HITCAS64S6
4 1/8"	4.12" (105mm)	CAS66	CAS66SS	CAS66S6	HTCAS66	HTCAS66SS	HTCAS66S6	HITCAS66	HITCAS66SS	HITCAS66S6
4 1/2"	4.50" (114mm)	CAS72	CAS72SS	CAS72S6	HTCAS72	HTCAS72SS	HTCAS72S6	HITCAS72	HITCAS72SS	HITCAS72S6
6"	6.00" (152mm)	CAS96	CAS96SS	CAS96S6	HTCAS96	HTCAS96SS	HTCAS96S6	HITCAS96	HITCAS96SS	HITCAS96S6

Pipe Sizes		Cush-A-Slide (CN) Standard			Cush-A-Slide (HT) High Temp			Cush-A-Slide (HIT) High Intensity Temp		
		-50°F to 275°F (-45°C to 135°C)			-65°F to 340°F (-53°C to 170°C)			-65°F to 400°F (-53°C to 204°C)		
O.D. Pipe Size		Pipe - Part No.			Pipe - Part No.			Pipe - Part No.		
		Steel	SS304	SS316	Steel	SS304	SS316	Steel	SS304	SS316
1/2"	0.840" (21mm)	CNCAS14P	CNCAS14PSS	CNCAS14PS6	HTCAS14P	HTCAS14PSS	HTCAS14PS6	HITCAS14P	HITCAS14PSS	HITCAS14PS6
3/4"	1.050" (27mm)	CNCAS17P	CNCAS17PSS	CNCAS17PS6	HTCAS17P	HTCAS17PSS	HTCAS17PS6	HITCAS17P	HITCAS17PSS	HITCAS17PS6
1"	1.315" (33mm)	CNCAS21P	CNCAS21PSS	CNCAS21PS6	HTCAS21P	HTCAS21PSS	HTCAS21PS6	HITCAS21P	HITCAS21PSS	HITCAS21PS6
1 1/2"	1.900" (48mm)	CNCAS30P	CNCAS30PSS	CNCAS30PS6	HTCAS30P	HTCAS30PSS	HTCAS30PS6	HITCAS30P	HITCAS30PSS	HITCAS30PS6
2"	2.375" (60mm)	CNCAS38P	CNCAS38PSS	CNCAS38PS6	HTCAS38P	HTCAS38PSS	HTCAS38PS6	HITCAS38P	HITCAS38PSS	HITCAS38PS6
2 1/2"	2.875" (73mm)	CNCAS46P	CNCAS46PSS	CNCAS46PS6	HTCAS46P	HTCAS46PSS	HTCAS46PS6	HITCAS46P	HITCAS46PSS	HITCAS46PS6
3"	3.500" (89mm)	CNCAS56P	CNCAS56PSS	CNCAS56PS6	HTCAS56P	HTCAS56PSS	HTCAS56PS6	HITCAS56P	HITCAS56PSS	HITCAS56PS6
3 1/2"	4.000" (102mm)	CNCAS64P	CNCAS64PSS	CNCAS64PS6	HTCAS64P	HTCAS64PSS	HTCAS64PS6	HITCAS64P	HITCAS64PSS	HITCAS64PS6
4"	4.500" (114mm)	CNCAS72P	CNCAS72PSS	CNCAS72PS6	HTCAS72P	HTCAS72PSS	HTCAS72PS6	HITCAS72P	HITCAS72PSS	HITCAS72PS6

Wesanco-ZSi.com | 800-323-7053



ZSi & Wesanco are part of the Ideal Tridon Group. Learn more at idealtridongroup.com

© Copyright 2024 Ideal Tridon Group / Printed & Designed in the USA / 11-24