



ONE BOLT ELECTRICAL PIPE CLAMP

ELECTRICAL CONTRACTORS | FIRE PROTECTION INDUSTRY | MECHANICAL CONTRACTORS
HVAC/R CONTRACTORS | PLUMBING CONTRACTORS

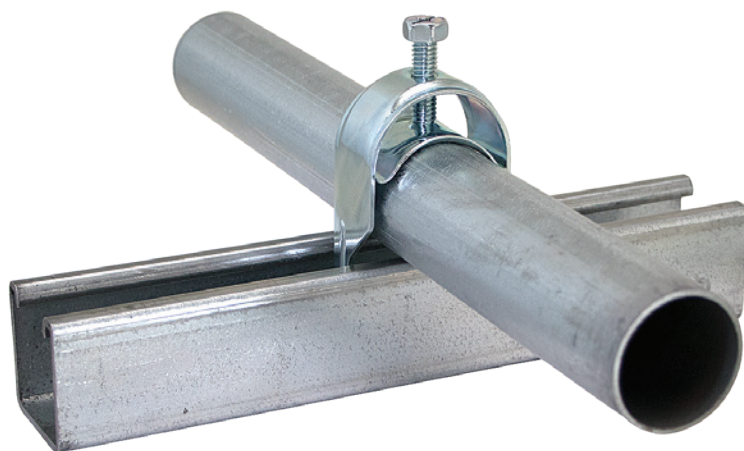


Saves Time

- One Complete Unit – No Loose Components
- Hooks Quickly and Easily into Channel
- Beveled Edges Prevent Pipe Damage when Tightened

Reduces Labor Costs

- Electro-Galvanized Finish
- Compatible with Phillips & Flat Head Screwdrivers
- Electrical Conduit Applications



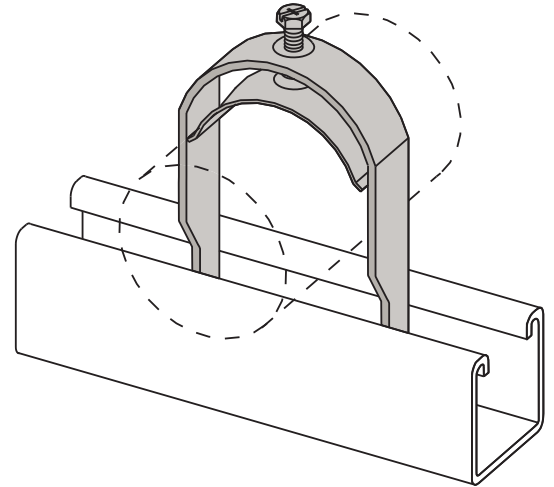
Wesanco-ZSi.com | 800-323-7053

ZSi & Wesanco are part of the Ideal Tridon Group. Learn more at idealtridongroup.com



Electrical Contractors | Fire Protection Industry
 Mechanical Contractors | HVAC/R Contractors | Plumbing Contractors

Part No.	EMT Size	Rigid Conduit Size	Design Load
BMU050	½" (13mm)	--	200 (0.89 kN)
BMU075	¾" (19mm)	½" (13mm)	
BMU100	1" (25mm)	¾" (19mm)	300 (1.33 kN)
BMU125	1¼" (32mm)	1" (25mm)	
BMU150	1½" (38mm)	1¼" (32mm)	400 (1.78 kN)
BMU200	2" (51mm)	1½" (38mm)	
BMU250	2½" (64mm)	2½" (64mm)	
BMU300	3" (76mm)	3" (76mm)	
BMU350	3½" (89mm)	3½" (89mm)	
BMU400	4" (102mm)	4" (102mm)	



Solutions for Electrical Contractors

