

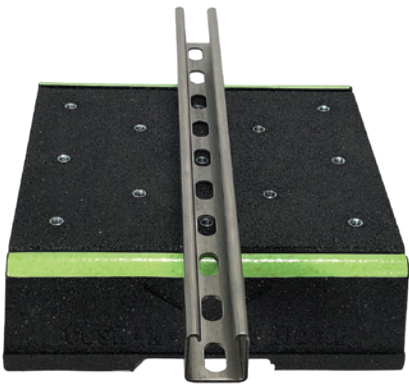


CUSH-A-BLOCK® "BIGGIE"

HVAC | PIPE & CONDUIT | SOLAR RACKING | ROOFTOP WALKWAYS



The "Biggie" Block



The channel for Cush-A-Block support assemblies includes a variety of options. The strut can be made in special lengths, finishes, and alloys including Aluminum, Stainless Steel both 304 & 316, PVC coated, Powder coated, Zinc Trivalent Chromium, Pre-Galvanized and Hot Dipped Galvanized.

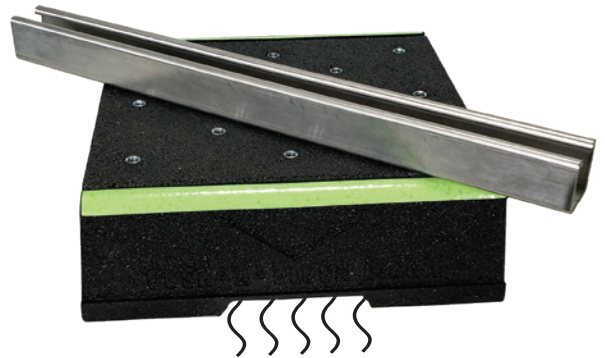
Embedded Fasteners



Quick Strut Change-Out

- 100% Recycled Rubber Qualifies for LEED Credits
- Meets the Buy America Act and American Reinvestment Recovery Act
- Resistant to Freeze and Thaw

Water Flow-through



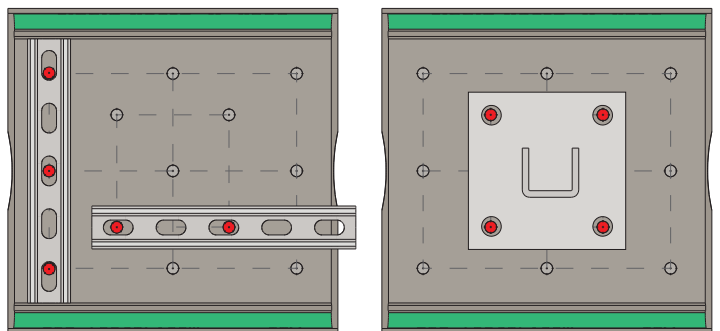
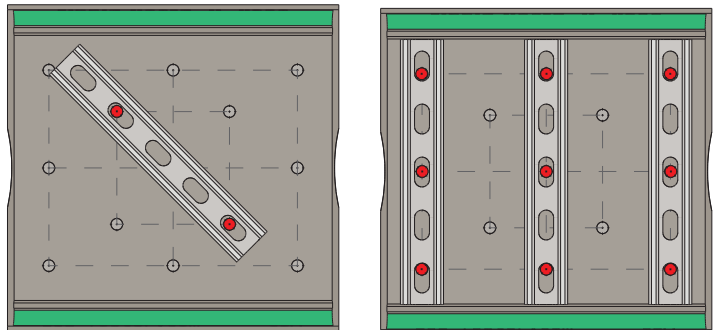
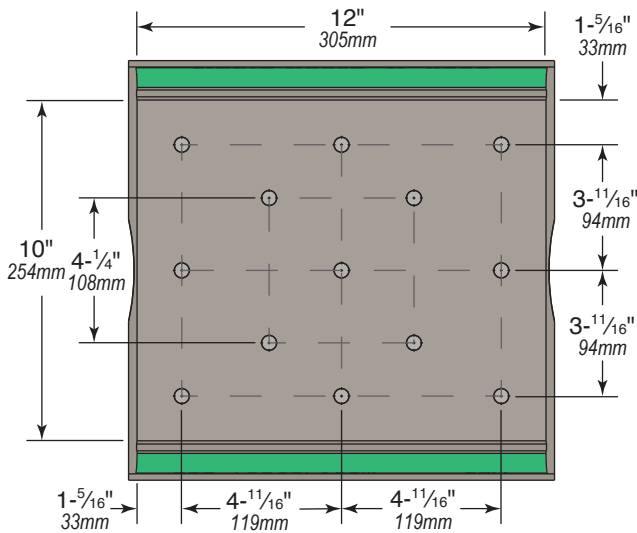
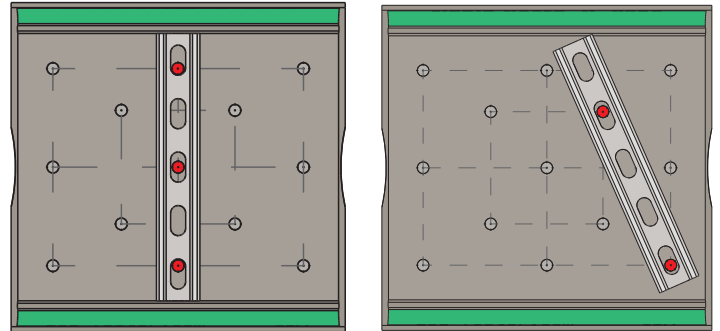
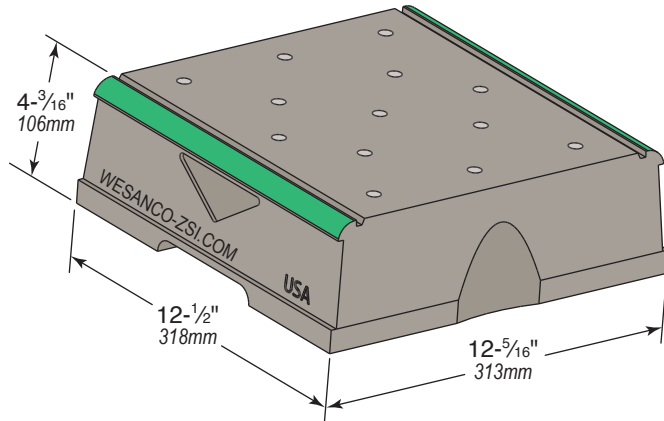
Helps Prevent Mold and Ice Dams

- Dampens Vibrations
- Compatible with Most Rooftop Materials
- Eco-Green Reflective Safety Strip Won't Peel or Flake



Cush-A-Block "Biggie" Rooftop Support System

*Embedded Fastener Layout
Provides an Amazing Variety of
Channel or Fitting Options*



CBB "Biggie" Block Base		
Part No.	Weight Lbs (Kg)	Uniform Load Capacity Lbs (kN)*
CBB	16.5 (7.5Kg)	7,500 * (33.36 kN)

* This load is only for the capacity of the components in this assembly. Please consult roofing manufacturer or engineer for roof load capacity.

HVAC | Pipe & Conduit | Solar Racking | Rooftop Walkways