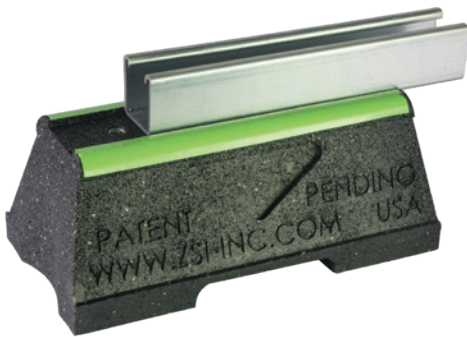




# CUSH-A-BLOCK®

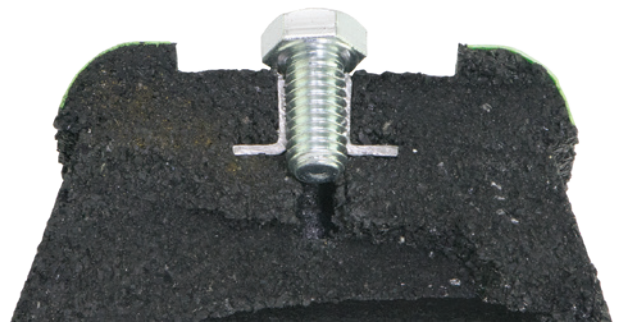
75% FASTER STRUT INSTALL AND CHANGE-OUT

## Built-in Channel Guide



**Straight Strut Installation**

## Embedded Fasteners



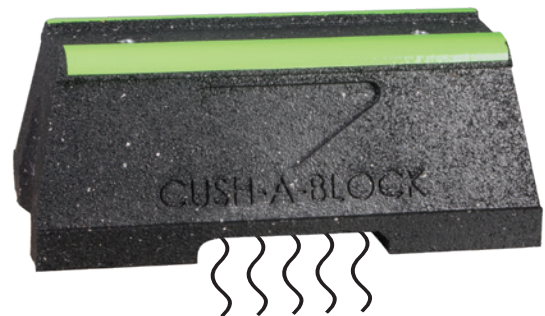
**Quick Strut Change-Out**

## Easy-carry Hand Grip



**Simple to Lift and Carry**

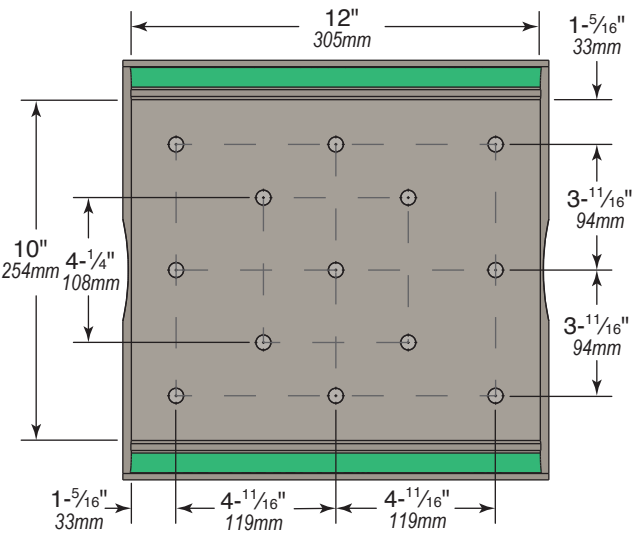
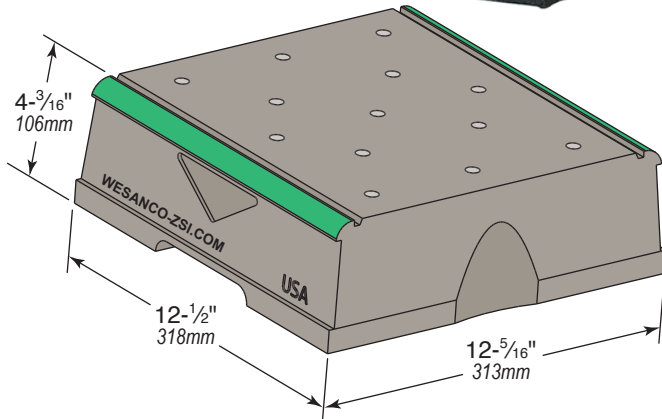
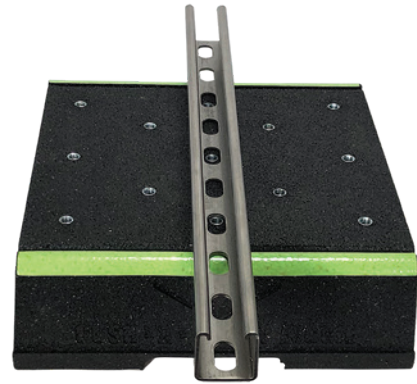
## Water Flow-through



**Helps Prevent Mold and Ice Dams**

- 100% Recycled Rubber Qualifies for LEED Credits
- Meets the Buy America Act and American Reinvestment Recovery Act
- Resistant to Freeze and Thaw
- Dampens Vibrations
- Compatible with Most Rooftop Materials
- Eco-Green Reflective Safety Strip Won't Peel or Flake

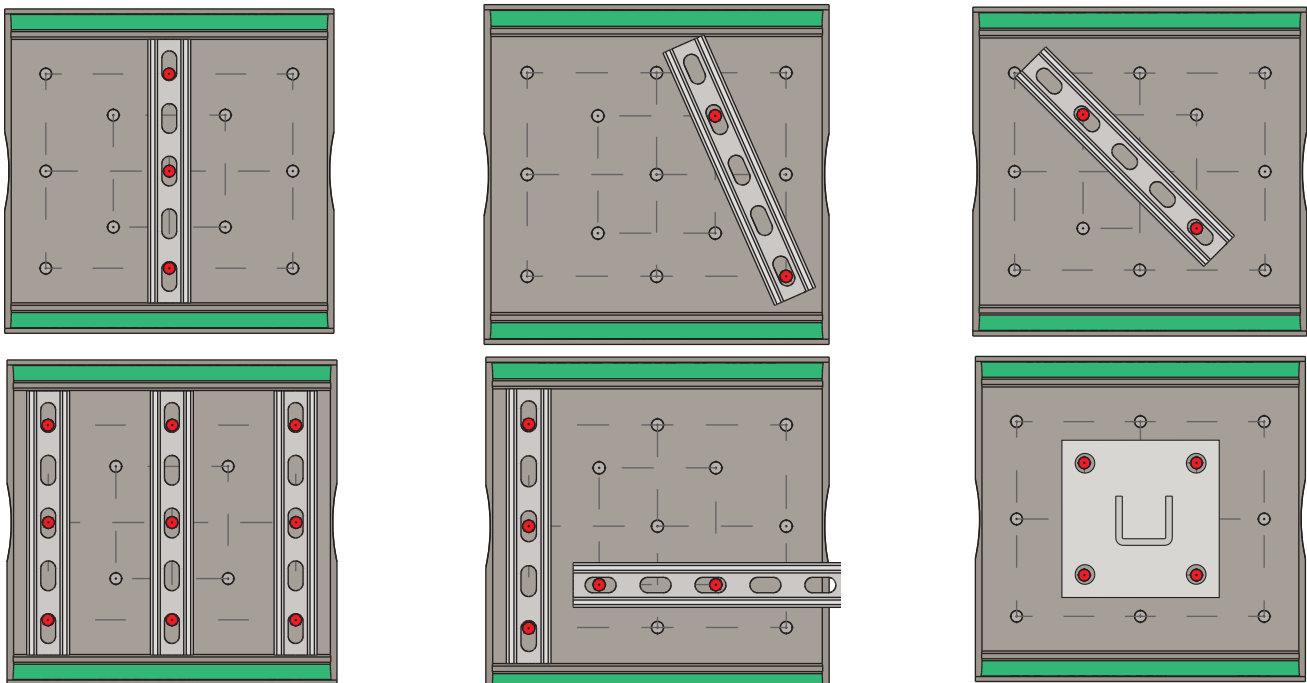
**CBB "Biggie" Series**  
Plain Base



CBB "Biggie" Block Base	
Part No.	Uniform Load Capacity Lbs (kN)*
CBB	7,500 * (33.36 kN)

\* This load is only for the capacity of the components in this assembly. Please consult roofing manufacturer or engineer for roof load capacity.

**Embedded Fastener Layout Provides an Amazing Variety of Channel or Fitting Options**



# Cush-A-Block® Rooftop Supports

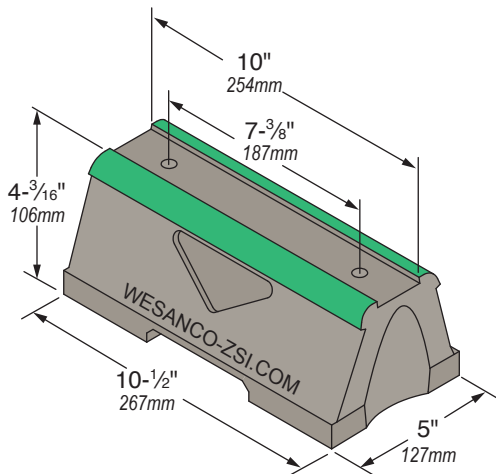


Finishes: Pre-galvanized (PG) or Hot Dipped Galvanized (HG)



## CBN Series

Plain Base



Note: The embedded fasteners are conveniently spaced to allow attachment of slotted channel.

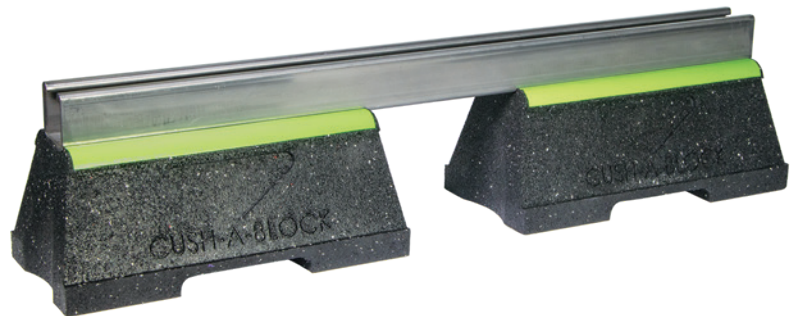
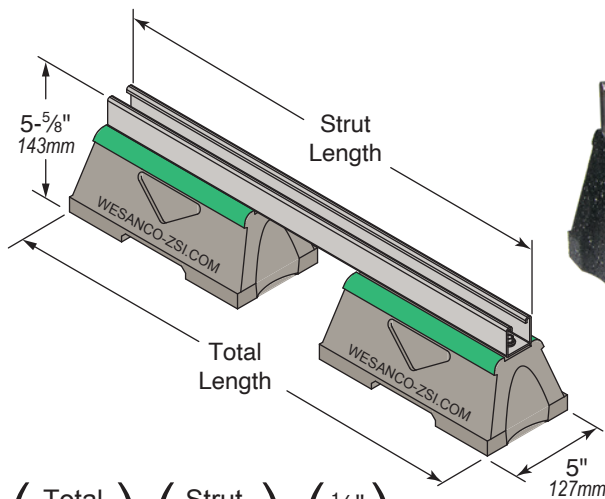
The CBN-Base Rooftop Support is UV resistant and suitable for installation on most types of roofing material or other flat surfaces. Can be used as a curb (sleeper) replacement. Screw fasteners can be used to attach one or two hole pipe straps or a piece of strut (not included).

CBN-Base Series	
Part No.	Uniform Load Capacity Lbs (kN)*
CBN	2,500 * (11.12 kN)

\* This load is only for the capacity of the components in this assembly. Please consult roofing manufacturer or engineer for roof load capacity.

## CBN-BR Bridge Series

Support With Channel



$$\left( \text{Total Length} \right) = \left( \text{Strut Length} \right) + \left( \frac{1}{2} \text{ inch} \right)$$

Like all of the Cush-A-Block supports, the CBN-BR Bridge Rooftop Supports are perfect for supporting natural gas and refrigeration piping systems, cable tray, electrical conduit, multiple lines, HVAC equipment and many other applications.

The CBN-BR Series provides a longer mounting surface with strut lengths up to 60" (1.5m). Custom lengths are available upon request.

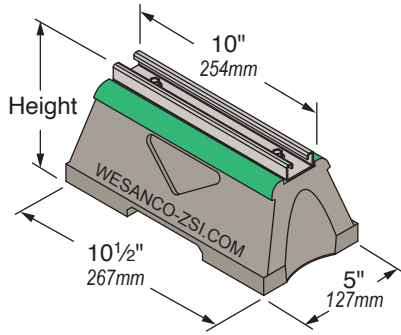
Standard strut mount pipe clamps are used to secure the pipes.

CBN-BR Bridge Series Supports with 1-5/8" (41mm) Pre-Galv. or Hot Dip Galv. Steel Channel			
Part No.	Strut Length	Total Length	Uniform Load Lbs (kN)*
CBN28BR	28" (711mm)	28-1/2" (724mm)	1,491* (6.63 kN)
CBN36BR	36" (914mm)	36-1/2" (927mm)	1,160* (5.15 kN)
CBN42BR	42" (1m)	42-1/2" (1.08m)	994* (4.42 kN)
CBN50BR	50" (1.2m)	50-1/2" (1.28m)	835* (3.71 kN)
CBN60BR	60" (1.5m)	60-1/2" (1.54m)	696* (3.09 kN)

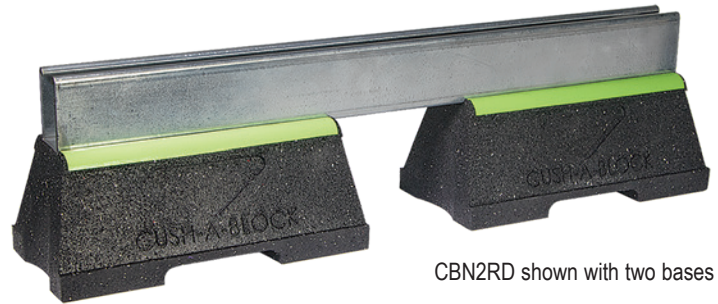
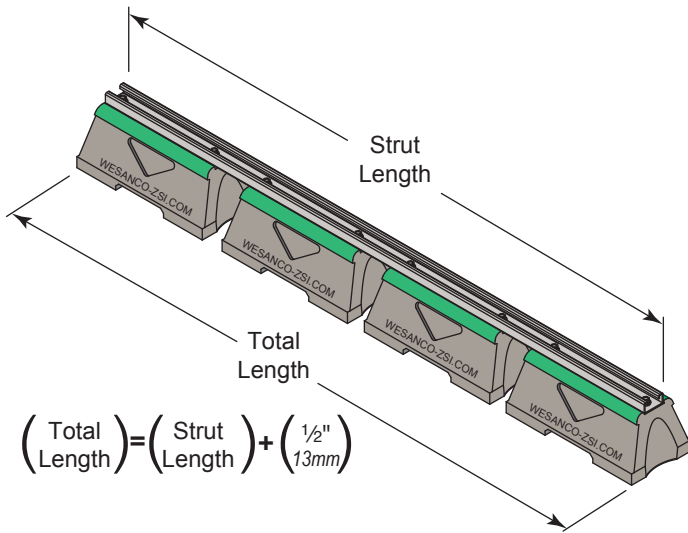
\* This load is only for the capacity of the components in this assembly. Please consult roofing manufacturer or engineer for roof load capacity.

## CBN Series

Support With Metal Channel



Shown with  $1\frac{3}{16}$ " Strut



CBN2RD shown with two bases

The CBN Series provides a longer mounting surface with strut lengths up to 46.82" (1.2m). Custom lengths are available upon request

Part No.	No. of Bases	Height	Strut Length	Total Length	Uniform Load Lbs (kN)*
<b>CBN-Support With <math>1\frac{3}{16}</math>" (21mm) Pre-Galv. or Hot Dip Galv. Steel Channel</b>					
CBN1S	1	$4\text{-}1\frac{3}{16}$ " (122mm)	10" (254mm)	$10\text{-}1\frac{1}{2}$ " (267mm)	2,500 * (11.12 kN)
CBN2S	2		22" (559mm)	$22\text{-}1\frac{1}{2}$ " (572mm)	5,000 * (22.24 kN)
CBN3S	3		34" (864mm)	$34\text{-}1\frac{1}{2}$ " (876mm)	7,500 * (33.36 kN)
CBN4S	4		46" (1.17m)	$46\text{-}1\frac{1}{2}$ " (1.18m)	10,000 * (44.48 kN)
<b>CBN-Support With <math>1\text{-}5\frac{5}{8}</math>" (41mm) Pre-Galv. or Hot Dip Galv. Steel Channel</b>					
CBN1D	1	$5\text{-}5\frac{5}{8}$ " (143mm)	10" (254mm)	$10\text{-}1\frac{1}{2}$ " (267mm)	2,500 * (11.12 kN)
CBN2D	2		22" (559mm)	$22\text{-}1\frac{1}{2}$ " (572mm)	5,000 * (22.24 kN)
CBN3D	3		34" (864mm)	$34\text{-}1\frac{1}{2}$ " (876mm)	7,500 * (33.36 kN)
CBN4D	4		46" (1.17m)	$46\text{-}1\frac{1}{2}$ " (1.18m)	10,000 * (44.48 kN)
<b>CBN Support With <math>2\text{-}7\frac{1}{16}</math>" (62mm) Pre-Galv. or Hot Dip Galv. Steel Channel</b>					
CBN1RD	1	$6\text{-}7\frac{1}{16}$ " (164mm)	10" (254mm)	$10\text{-}1\frac{1}{2}$ " (267mm)	2,500 * (11.12 kN)
CBN2RD	2		22" (559mm)	$22\text{-}1\frac{1}{2}$ " (572mm)	5,000 * (22.24 kN)
CBN3RD	3		34" (864mm)	$34\text{-}1\frac{1}{2}$ " (876mm)	7,500 * (33.36 kN)
CBN4RD	4		46" (1.17m)	$46\text{-}1\frac{1}{2}$ " (1.18m)	10,000 * (44.48 kN)
* This load is only for the capacity of the components in this assembly. Please consult roofing manufacturer or engineer for roof load capacity.					

# Cush-A-Block® Rooftop Supports



Finishes: Pre-galvanized (PG) or Hot Dipped Galvanized (HG)

## CBN-EX Series

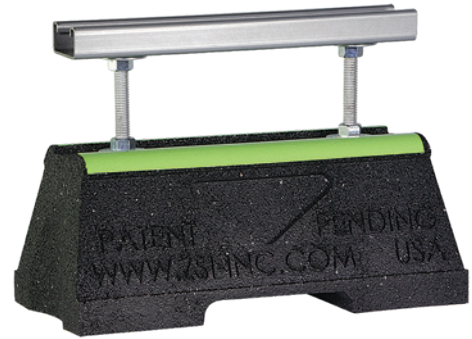
Support With Raised Channel

CBN-BR Extension Rooftop Supports are perfect for supporting natural gas and refrigeration piping systems, cable tray, electrical conduit, multiple lines, HVAC equipment and many other applications.

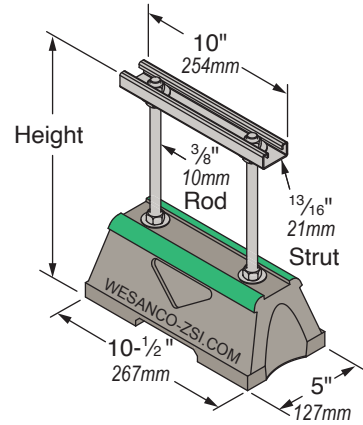
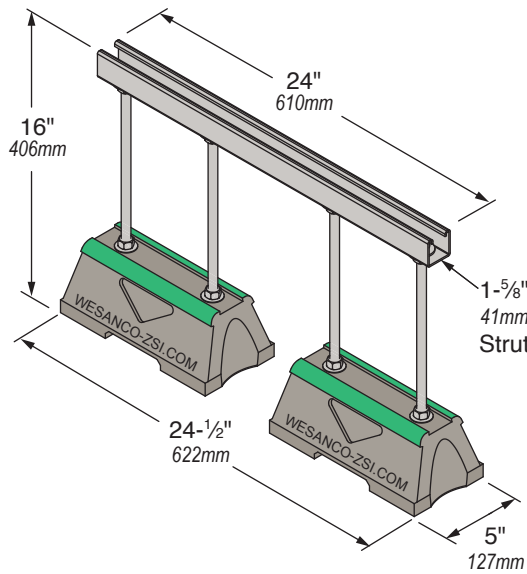
Standard strut mount pipe clamps are used to secure the pipes. Custom lengths are available upon request.



CBN8EX,  
CBN12EX



CBN16EX



CBN-EX Extension Series Support with 3/8" Threaded Rod Extension and Pre-Galv. or Hot Dip Galv. Steel Channel

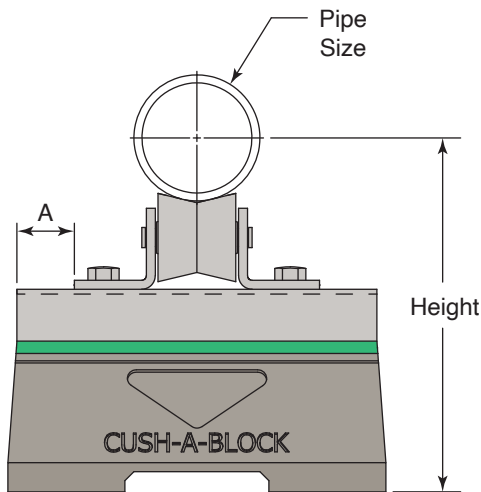
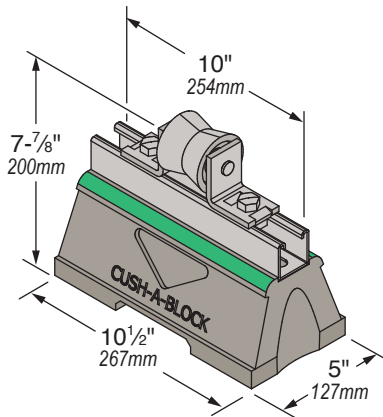
Part No.	No. of Bases	Height	Strut Size	Uniform Load Lbs (kN) *
CBN8EX	1	8" (203mm)	13/16" (21mm)	1,000 * (4.44 kN)
CBN12EX	1	12" (305mm)	(21mm)	1,000 * (4.44 kN)
CBN16EX	2	16" (406mm)	1-5/8" (41mm)	2,000 * (8.89 kN)

\* This load is only for the capacity of the components in this assembly. Please consult roofing manufacturer or engineer for roof load capacity.

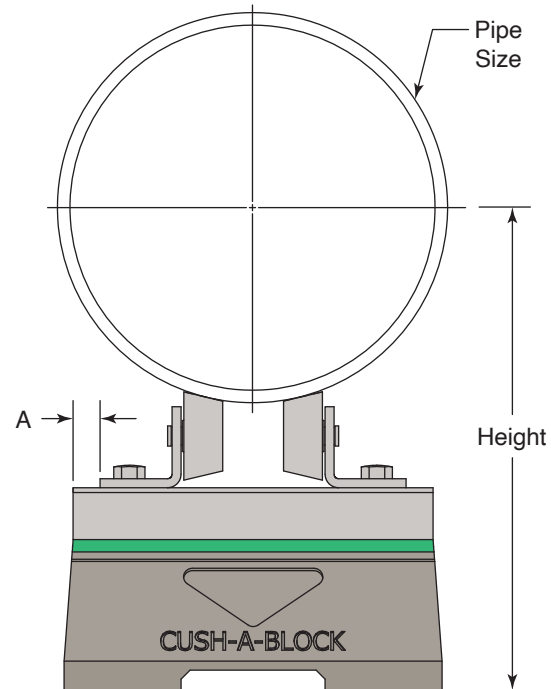
## CBN-PRB Series

Support With Pipe Roller

The CBN-PRB Rooftop Supports are designed for superior support of natural gas and refrigeration pipes. The roller allows for longitudinal movements of the pipe. This support is suitable for most types of roofing material or other flat surfaces.



1" - 6" (25mm - 152mm)



8" - 12" (203mm - 305mm)

CBN-PRB Roller-Series with 1-5/8" (41mm) Pre-Galv or Hot Dip Galv. Steel Channel with Rollers				
Part No.	Pipe Size (O.D.)	Height	A	Uniform Load Lbs (kN)*
CBNPRB	1"	8.707" (221mm)	1.594" (40mm)	2,500 * (11.12 kN)
	1-1/2"	9.008" (229mm)		
	2"	9.252" (235mm)		
	2-1/2"	9.509" (242mm)		
	3"	9.831" (250mm)		
	4"	10.345" (263mm)		
	6"	11.437" (291mm)	1.000" (25mm)	
	8"	12.323" (313mm)		
	12"	14.384" (365mm)		
	18"	16.904" (429mm)	0" (0mm)	

\* This load is only for the capacity of the components in this assembly. Please consult roofing manufacturer or engineer for roof load capacity.

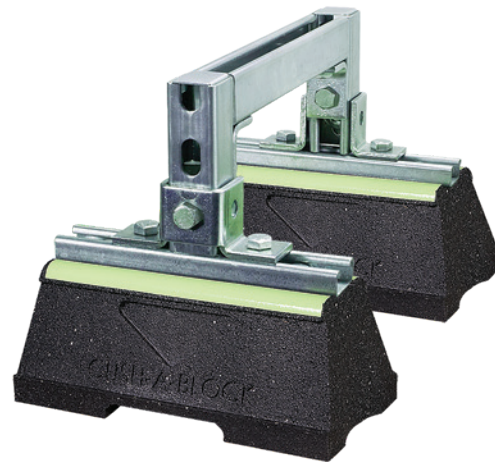
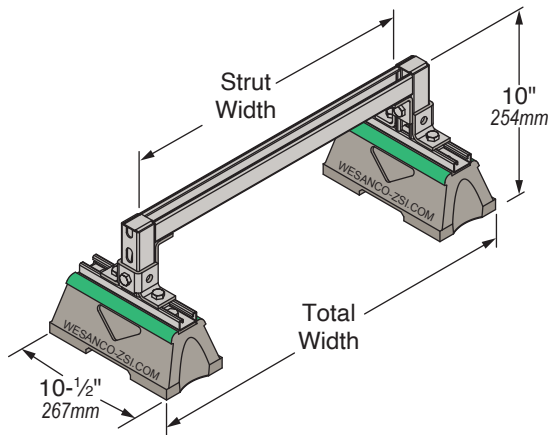
# Cush-A-Block® Rooftop Supports



Finishes: Pre-galvanized (PG) or Hot Dipped Galvanized (HG)

## CBN-RB Series

Support With Raised Bridge Medium Support



The CBN-RB Medium Rooftop Supports can support natural gas and refrigeration piping systems, cable tray, electrical conduit, multiple lines, HVAC equipment and many other applications. They are designed for rooftop applications requiring a heavier load bearing capacity, and are suitable for most types of roofing material or other flat surfaces. Custom lengths are available upon request.

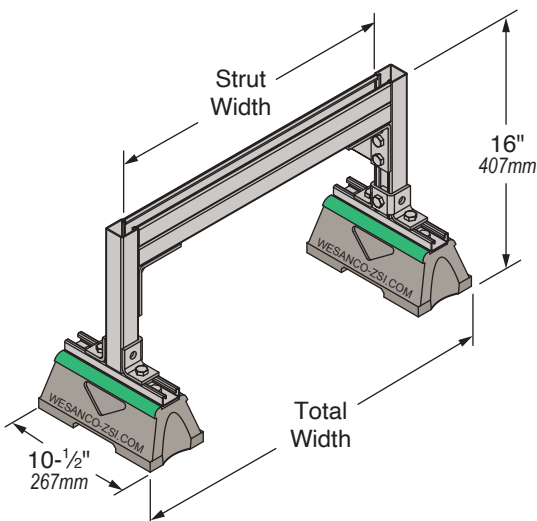
Standard strut mount pipe clamps are used to secure the pipes.

Raised Bridge Medium Support with 2 CBN Bases & 1-5/8" (41mm) Pre-Galv or Hot Dip Galv. Steel Channel			
Part No.	Total Width	Strut Width	Uniform Load Lbs (kN)*
<b>CBN1RB</b>	18.65" (474mm)	12" (305mm)	3,000 * (13.34 kN)
<b>CBN2RB</b>	30.65" (779mm)	24" (610mm)	1,500 * (6.67 kN)

\* This load is only for the capacity of the components in this assembly. Please consult roofing manufacturer or engineer for roof load capacity.

## CBN-RB Series

Support With Raised Channel Heavy Support



The CBN-RB Heavy Rooftop Supports is designed for rooftop applications requiring a heavier load bearing capacity. It is suitable for most types of roofing material or other flat surfaces. Custom lengths are available upon request.

Standard strut mount pipe clamps are used to secure the pipes.

Raised Bridge Heavy Support with 2 CBN Bases & 3-1/4" (83mm) Back-to-Back Pre-Galv or Hot Dip Galv. Steel Channel			
Part No.	Total Width	Strut Width	Uniform Load Lbs (kN)*
<b>CBN3RB</b>	30.65" (779mm)	24" (610mm)	2,500†* (15.56 kN)
<b>CBN4RB</b>	42.65" (1.1m)	36" (914mm)	2,500†* (14.45 kN)

\* This load is only for the capacity of the components in this assembly.  
 † Beam load is limited by weld shear  
 Please consult roofing manufacturer or engineer for roof load capacity.

## CBN-DS Series

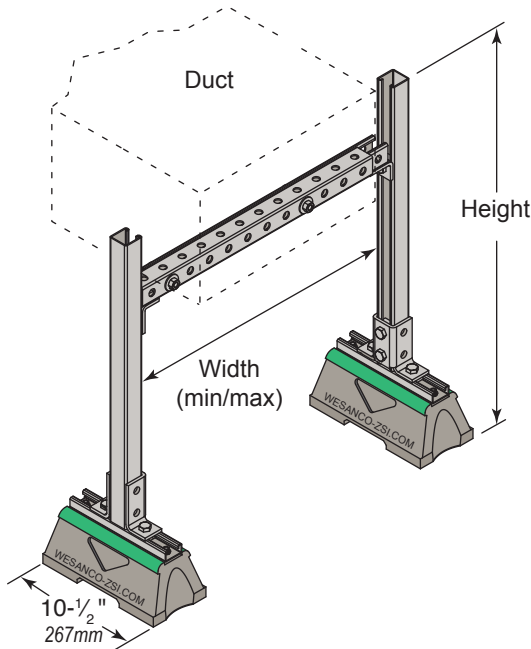
Adjustable Width Duct Support



The CBN-DS Series is designed specifically for supporting duct work. The telescopic cross beam provides easy width and height adjustments.

A wide range of support widths are provided from 19-<sup>1</sup>/<sub>4</sub>" to 103-<sup>5</sup>/<sub>8</sub>" (489mm to 2.6m)

Standard strut mount pipe clamps are used to secure the pipes.



**CBN-DS Duct Support Series With Adjustable Width and Height with 1-<sup>5</sup>/<sub>8</sub>" (41mm) Pre-Galv or Hot Dip Galv. Steel Channel**

Part No.	Width		Height	Uniform Load at Min. Width Lbs(kN) *
	Min.	Max.		
CBN1DS	19- <sup>1</sup> / <sub>4</sub> " (489mm)	26- <sup>3</sup> / <sub>4</sub> " (679mm)	28.813" (732mm)	1,909 * (8.49 kN)
CBN2DS	24- <sup>7</sup> / <sub>8</sub> " (632mm)	39- <sup>7</sup> / <sub>8</sub> " (1m)		1,477 * (6.57 kN)
CBN3DS	38" (987mm)	62- <sup>3</sup> / <sub>8</sub> " (1.6m)		967 * (4.30 kN)
CBN4DS	62- <sup>3</sup> / <sub>8</sub> " (1.6m)	103- <sup>5</sup> / <sub>8</sub> " (2.6m)		589 * (2.62 kN)
CBN5DS	19- <sup>1</sup> / <sub>4</sub> " (489mm)	26- <sup>3</sup> / <sub>4</sub> " (679mm)	36" (914mm)	1,909 * (8.49 kN)
CBN6DS	24- <sup>7</sup> / <sub>8</sub> " (632mm)	39- <sup>7</sup> / <sub>8</sub> " (1m)		1,477 * (6.57 kN)
CBN7DS	38" (987mm)	62- <sup>3</sup> / <sub>8</sub> " (1.6m)		967 * (4.30 kN)
CBN8DS	62- <sup>3</sup> / <sub>8</sub> " (1.6m)	103- <sup>5</sup> / <sub>8</sub> " (2.6m)		589 * (2.62 kN)

\* This load is only for the capacity of the components in this assembly. Please consult roofing manufacturer or engineer for roof load capacity.



# Cush-A-Block® Rooftop Supports



Finishes: Pre-galvanized (PG) or Hot Dipped Galvanized (HG)

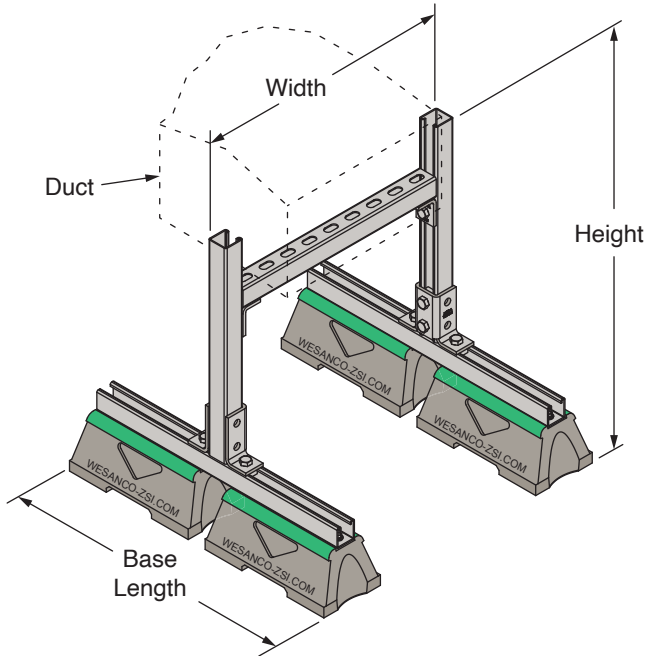
## CBN-DSFW Series

Fixed Width Duct Support



The CBN-DSFW Series is designed specifically for supporting duct work. The cross beam provides easy size adjustments. Custom lengths are available upon request.

Standard strut mount pipe clamps are used to secure the pipes.



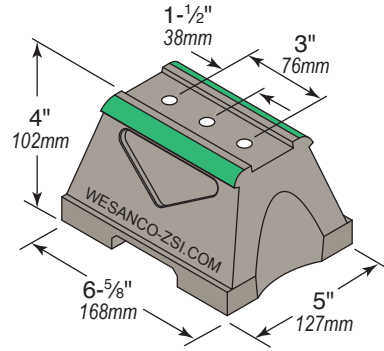
**CBN-DSFW Duct Support Series With Fixed Width & Adjustable Height**  
with 1-5/8" (41mm) Pre-Galv or Hot Dip Galv. Steel Channel

Part No.	Height	Width	Base Length	No. of Bases	Uniform Load Capacity Lbs(kN) *
CBN1-DSFW	23" (584mm)	18" (457mm)	24" (610mm)	4	2042 * (9.08 kN)
CBN2-DSFW		24" (610mm)			1531 * (6.81 kN)
CBN3-DSFW		36" (914mm)			1021 * (4.54 kN)
CBN4-DSFW		48" (1.2m)			766 * (3.40 kN)
CBN5-DSFW	29" (737mm)	18" (457mm)	24" (610mm)	4	2042 * (9.08 kN)
CBN6-DSFW		24" (610mm)			1531 * (6.81 kN)
CBN7-DSFW		36" (914mm)			1021 * (4.54 kN)
CBN8-DSFW		48" (1.2m)			766 * (3.40 kN)
CBN9-DSFW	41" (1m)	18" (457mm)	24" (610mm)	4	2042 * (9.08 kN)
CBN10-DSFW		24" (610mm)			1531 * (6.81 kN)
CBN11-DSFW		36" (914mm)			1021 * (4.54 kN)
CBN12-DSFW		48" (1.2m)			766 * (3.40 kN)
CBN13-DSFW	53" (1.3m)	18" (457mm)	36" (914mm)	6	2042 * (9.08 kN)
CBN14-DSFW		24" (610mm)			1531 * (6.81 kN)
CBN15-DSFW		36" (914mm)			1021 * (4.54 kN)
CBN16-DSFW		48" (1.2m)			766 * (3.40 kN)

\* This load is only for the capacity of the components in this assembly.  
Please consult roofing manufacturer or engineer for roof load capacity.

## CBM

Cush-A-Block Mini



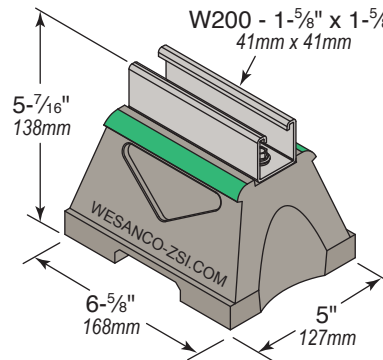
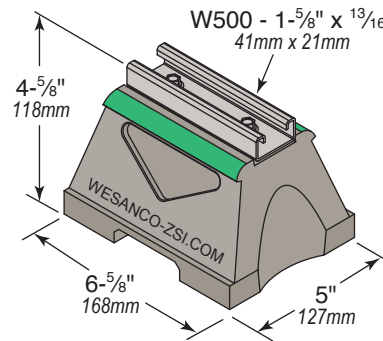
### CBM-Base Series

Part No.	Uniform Load Capacity (Lbs) *
<b>CBM</b>	400 (1.78 kN)

\* This load is only for the capacity of the components in this assembly. Please consult roofing manufacturer or engineer for roof load capacity.

## CBM Series

Support with Metal Channel



Part No.	Uniform Load Capacity (Lbs) *
<b>CBM-Support with 13/16" (21mm) Pre-Galv or Hot Dip Galv. Steel Channel</b>	
<b>CBM1S</b>	400 (1.78 kN)
<b>CBM-Support with 1-5/8" (41mm) Pre-Galv or Hot Dip Galv. Steel Channel</b>	
<b>CBM1D</b>	400 (1.78 kN)

\* This load is only for the capacity of the components in this assembly. Please consult roofing manufacturer or engineer for roof load capacity.

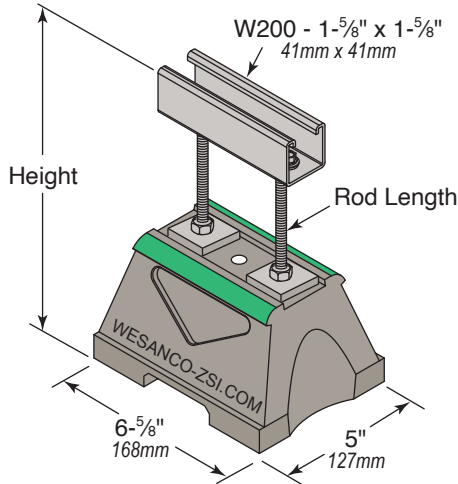
# Cush-A-Block® Rooftop Supports



Finishes: Pre-galvanized (PG) or Hot Dipped Galvanized (HG)

## CBM REX Series

Support with Raised 1-5/8" Metal Channel

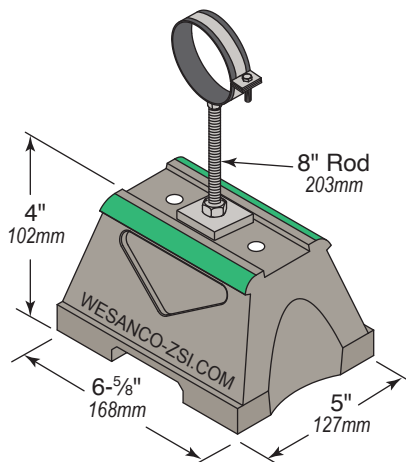
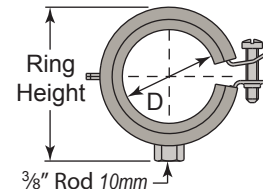


CBM-Support Extension with 3/8" Threaded Rod Extension & 1-5/8" (41mm) Pre-Galv or Hot Dip Galv. Steel Channel			
Part No.	Height	Rod Length	Uniform Load Lbs (kN) *
CBM10REX	10" (254mm)	6" (152mm)	175 (0.78 kN)
CBM12REX	12" (305mm)	8" (203mm)	175 (0.78 kN)

\* This load is only for the capacity of the components in this assembly. Please consult roofing manufacturer or engineer for roof load capacity.

## CBMPH Series

Support with Raised SPH Cush-A-Ring Clamp for Copper Tube or Steel Tube or Pipe



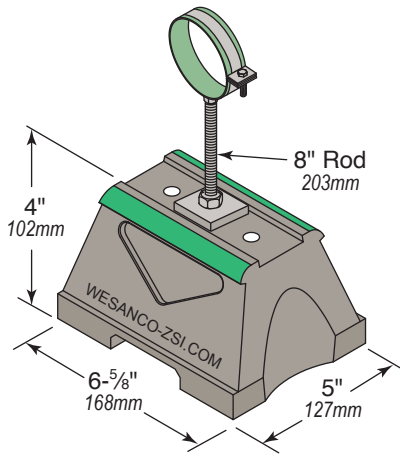
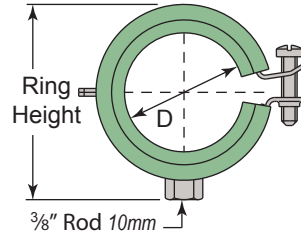
CBMPH Series Cush-A-Block Mini with Raised SPH Cush-A-Ring Clamp for Copper or Steel Tube or Pipe					
Part No.	D	IP	CT	Ring Height	Uniform Load Lbs (kN) *
CBMPH1	0.433" - 0.551" (11 - 14mm)	1/4"	3/8"	1.4" (36mm)	125 (0.56 kN)
CBMPH2	0.591" - 0.709" (15 - 18mm)	3/8"	1/2"	1.4" (36mm)	
CBMPH3	0.787" - 0.906" (20 - 23mm)	1/2"	3/4"	1.6" (41mm)	
CBMPH4	0.984" - 1.102" (25 - 28mm)	3/4"	1"	1.8" (46mm)	
CBMPH5	1.22" - 1.378" (31 - 35mm)	1"	1 1/4"	2.0" (51mm)	
CBMPH6	1.575" - 1.693" (40 - 43mm)	1 1/4"	1 1/2"	2.4" (61mm)	
CBMPH7	1.89" - 2.087" (48 - 53mm)	1 1/2"	-	2.6" (66mm)	
CBMPH8	2.126" - 2.205" (54 - 56mm)	-	2"	2.8" (71mm)	
CBMPH9	2.244" - 2.48" (57 - 63mm)	2"	-	3.1" (79mm)	
CBMPH10	2.52" - 2.756" (64 - 70mm)	-	2 1/2"	3.9" (99mm)	
Below parts have 2 bolt configuration SPH Clamps					
CBMPH11	2.874" - 3.15" (73 - 80mm)	2 1/2"	3"	4.3" (109 mm)	125 (0.56 kN)
CBMPH12	3.268" - 3.583" (83 - 91mm)	3"	-	4.8" (122 mm)	
CBMPH13	3.937" - 4.134" (100 - 105 mm)	-	4"	5.3" (135 mm)	
CBMPH14	4.252" - 4.488" (108 - 114mm)	4"	-	5.7" (145 mm)	

\* This load is only for the capacity of the components in this assembly. Please consult roofing manufacturer or engineer for roof load capacity.

See engineering catalog for more information on the SPH Cush-A-Ring Clamps

## CBMPP Series

Support with Raised SPP Cush-A-Ring Clamp for PEX, CPVC, or PVC Pipe



CBMPP Series Cush-A-Block Mini with Raised SPP Cush-A-Ring Clamp for PEX, CPVC or PVC Pipe					
Part No.	D (mm)	PVC / CPVC	PEX	Ring Height	Load Capacity (Lbs) *
CBMPP2	0.591" - 0.709" (15 - 18mm)	3/8"	1/2"	1.4" (36mm)	125 (0.56 kN)
CBMPP3	0.787" - 0.906" (20 - 23mm)	1/2"	3/4"	1.7" (43mm)	
CBMPP4	0.984" - 1.102" (25 - 28mm)	3/4"	1"	1.9" (48mm)	
CBMPP5	1.22" - 1.378" (31 - 35mm)	1"	1 1/4"	2.2" (56mm)	
CBMPP6	1.575" - 1.693" (40 - 43mm)	1 1/4"	1 1/2"	2.6" (66mm)	
CBMPP7	1.89" - 2.087" (48 - 53mm)	1 1/2"	-	3.0" (76mm)	
CBMPP8	2.126" - 2.205" (54 - 56mm)	-	2"	3.0" (76mm)	
CBMPP9	2.362" - 2.559" (60 - 65mm)	2"	-	3.4" (86mm)	
CBMPP10	2.756" - 2.992" (70 - 76mm)	2 1/2"	-	4.1" (104mm)	
Below parts have 2 bolt configuration SPP Clamps					
CBMPP11	3.386" - 3.583" (86 - 91mm)	3"	-	4.6" (117mm)	125 (0.56 kN)
CBMPP12	4.331" - 4.488" (110 - 114mm)	4"	-	5.8" (147mm)	

\* This load is only for the capacity of the components in this assembly. Please consult roofing manufacturer or engineer for roof load capacity.

See engineering catalog for more information on the SPP Cush-A-Ring Clamps

# Cush-A-Block® Rooftop Supports



Finishes: Pre-galvanized (PG) or Hot Dipped Galvanized (HG)

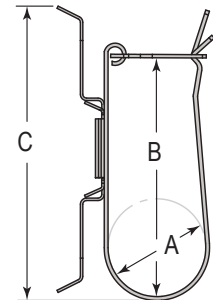
## CBMTRH Series

Support with Raised TRH Hanger System for Cable runs or Insulated Flow and Return Lines

Supports a pair of insulated flow and return refrigerant lines on 3/8" threaded rod. The spring steel hanger grips the rod tightly, and the black zinc coating offers corrosion resistance while matching the insulation color.

See page 219 for THR Hanger information

- Quick to Install & Adjust
- Rolled steel edges for safe cable runs
- Spring steel hanger grips rod tightly



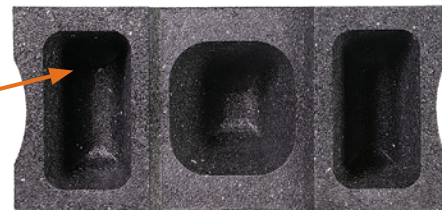
CBMTRH Series Cush-A-Block Mini with Raised TRH Hanger Clamp for Cable Runs or Insulated Pipe & Tubing					
Part No.	Flow & Return Pipe Pairs	A	B	C	Uniform Load Lbs (kN) *
CBMTRH2	3/8" Liquid & 5/8" Gas	1.28" (33mm)	3.12" (79mm)	3.82" (97mm)	175 (0.78 kN)
CBMTRH3	1/2" Liquid & 7/8" Gas	1.40" (36mm)	3.28" (83mm)	3.70" (94mm)	
CBMTRH4	5/8" Liquid & 1-1/8" Gas	2.40" (61mm)	4.17" (106mm)	5.00" (127mm)	
CBMTRH5		3.38" (86mm)	6.26" (159mm)	7.03" (179mm)	

\* This load is only for the capacity of the components in this assembly. Please consult roofing manufacturer or engineer for roof load capacity.

**HVAC | Pipe & Conduit | Solar Racking | Rooftop Walkways**

The channel for Cush-A-Block support assemblies includes a variety of options. The strut can be made in special lengths, finishes, and alloys including Aluminum, Stainless Steel both 304 & 316, PVC coated, Powder coated, Zinc Trivalent Chromium, Pre-Galvanized and Hot Dipped Galvanized.

Embedded nut eliminates any thru holes and prevents leaks or any rust from forming on the underside of the fastener.



**Your Single Source for All Products Shown.**

