



SNAP-A-SADDLE PRO™

PERMANENT SOLUTIONS TO INSULATION PROBLEMS



Snap-A-Saddle Pro™

- Tool-Free Installation
- Click to Attach
- Keeps Thermal Bridge Intact
- Maintains Pipe Insulation Properties
- Protects Liquid Line from Strut/Rod

Snap-A-Saddle Pro Multi™

Click-On Cartridges For:

- Multiple Strut Sizes
- Varied Clevis Hanger Sizes
- Steel Angles
- H-Beam/I-Beam
- Floor Adaptors



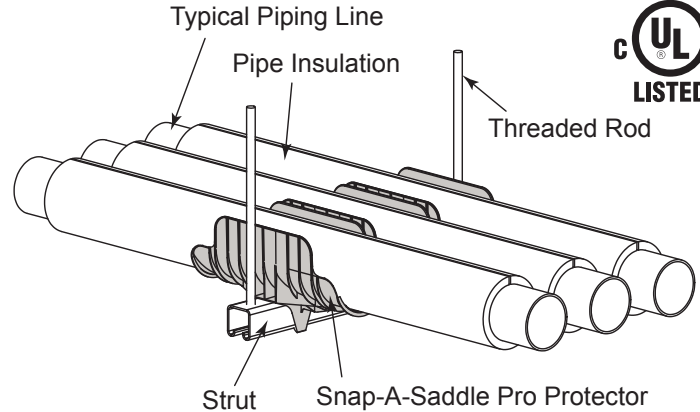
Snap-A-Saddle Pro: 2.25", 3.25", 4.25", 5.25", 6.25", 8.25"

Snap-A-Saddle Pro Multi: 2.34", 3.45", 4.50", 5.56", 6.46", 8.65", 10.65", 12.65"

Wesanco-ZSi.com | 800-323-7053

ZSi & Wesanco are part of the Ideal Tridon Group. Learn more at idealtridongroup.com





Setting the Standard

Made of high quality, ultra-resistant polypropylene, Snap-a-Saddle Pro™ is today's most practical and economical solution to standardize pipe installations, improve appearance, and completely eliminate premature insulation tears, costly leaks, and loss of refrigerated merchandise caused by inadequate suspension systems.

Breakthrough Innovation

Snap-a-Saddle Pro™ is designed to accommodate movement of the pipes generated by thermal expansion and vibration. With its unique sliding design at each end, Snap-a-Saddle Pro easily and effectively cradles and protects pipes allowing them to expand and vibrate without damaging their insulation.

Snap-a-Saddle Pro permanently eliminates insulation tears, refrigerant leaks, condensing & freezing. It holds up to the highest quality standards of the industry.

Applications:

Refrigeration, Air Conditioning and Plumbing

Installation:

Tool-Free, "Clips" directly on standard 1-5/8" x 1-5/8" (41mm x 41mm) strut channel.

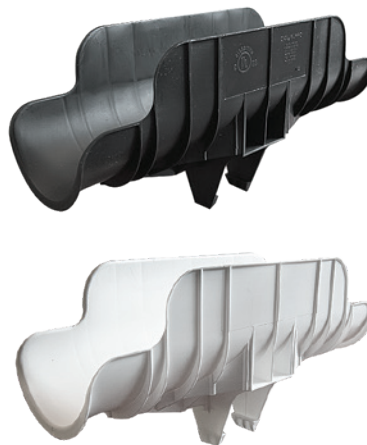
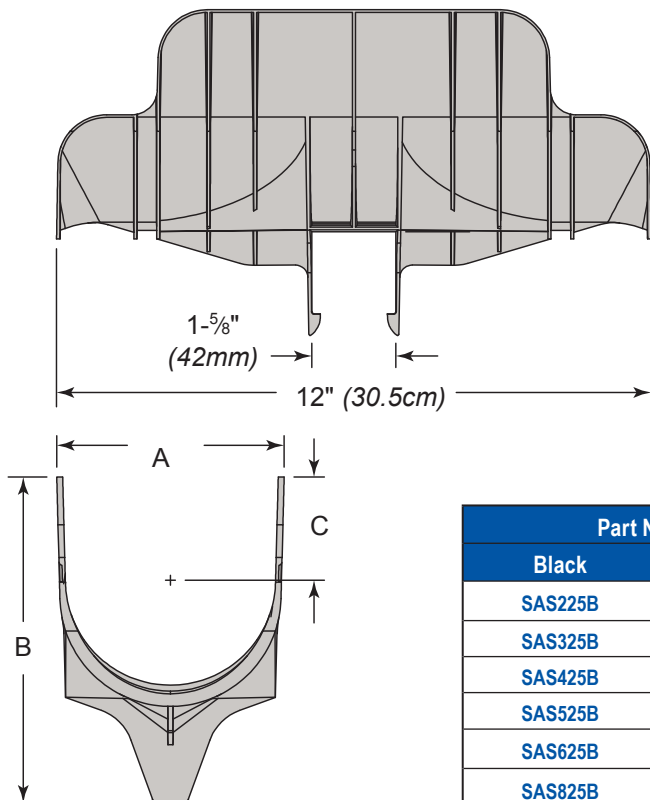
Suited for horizontal pipe installation.

Certification:

UL classified for USA (UL-723 (ASTM E 84)) and ULC listed for Canada (ULC-S102.2).

Material:

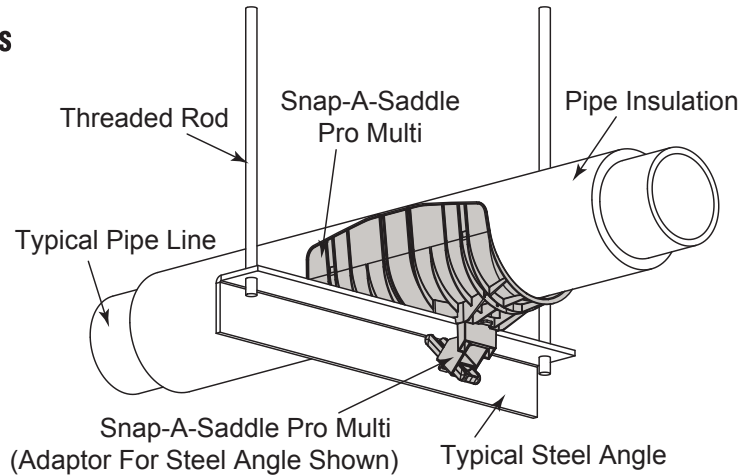
- Polypropylene copolymer
- UV resistant
- Operating temperature -40° to 178°F (-40° to 81°C)
- Paintable (preserves mechanical properties even after painting)
- Non-adhesive surface for linear expansion of thermal insulation. SAS825B & SAS825W have 20% glass filled material for additional strength



Part Number		A	B	C
Black	White			
SAS225B	SAS225W	2.25 (57mm)	4.56" (116mm)	1.09" (28mm)
SAS325B	SAS325W	3.25 (82mm)	5.57" (140mm)	1.59" (40mm)
SAS425B	SAS425W	4.25 (108mm)	6.59" (167mm)	2.09" (53mm)
SAS525B	SAS525W	5.25 (133mm)	7.57" (192mm)	2.58" (66mm)
SAS625B	SAS625W	6.25 (159mm)	8.57" (218mm)	3.09" (78mm)
SAS825B	SAS825W	8.25 (204mm)	11.04" (280mm)	4.27" (108mm)

Snap-A-Saddle Pro Multi™

Adaptable Insulated Pipe Saddle



Standardize Your Installation

Snap-a-Saddle Pro Multi™ makes the installer's job easier while standardizing piping installations and improving appearance. Whether you are looking at new or existing installations, the Snap-a-Saddle Pro Multi™ clip-on adapters will adapt to both the suspension system and the selected size of saddle core.

Clip-on Adapters:

- Strut Mount Adapter
- Strut Stabilizer
- Steel Angle Mount Adapter
- Clevis U-Strap Mount Adapter
- Floor Adapter
- H-Beam/I-Beam Adapter

Applications:

Plumbing, Mechanical, Refrigeration, and Air Conditioning

Installation:

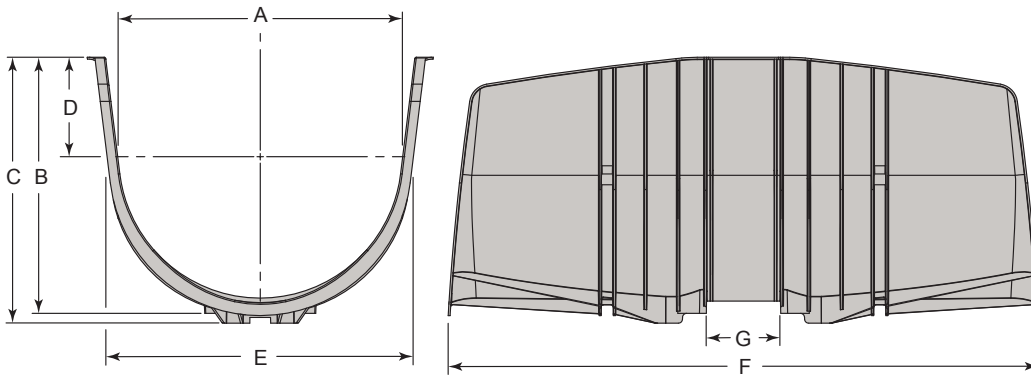
Tool-Free, suited for horizontal pipe installation.

Certification:

UL classified for USA (UL-723 (ASTM E 84)) and ULC listed for Canada (ULC-S102.2).

Material:

- Polypropylene 20% glass filled
- UV resistant
- Operating temperature -40° to 178°F (-40° to 81°C)
- Paintable (preserves mechanical properties even after painting)
- Non-adhesive surface for linear expansion of thermal insulation.



Part No. Grey	A	B	C	D	E	F Length	G
SASM250G	2.34" (60mm)	1.92" (49mm)	2.33" (59mm)	0.40" (10mm)	2.45" (62mm)	12" (305mm)	1.20" (30mm)
SASM350G	3.45" (88mm)	3.17" (81mm)	3.58" (91mm)	1.09" (28mm)	3.56" (90mm)		1.48" (38mm)
SASM450G	4.50" (114mm)	3.89" (99mm)	4.19" (106mm)	1.17" (30mm)	4.61" (117mm)		1.75" (44mm)
SASM550G	5.56" (140mm)	4.90" (124mm)	5.20" (132mm)	1.66" (42mm)	5.75" (146mm)		1.78" (45mm)
SASM650G	6.46" (165mm)	5.96" (151mm)	6.26" (159mm)	2.18" (55mm)	6.75" (171mm)		2.08" (53mm)
SASM850G	8.65" (219mm)	7.83" (199mm)	8.13" (207mm)	3.04" (77mm)	8.75" (222mm)	18" (457mm)	2.26" (57mm)
SASM1050G	10.65" (271mm)	7.80" (198mm)	8.10" (206mm)	1.76" (45mm)	10.59" (269mm)	23" (584mm)	
SASM1250G	12.65" (321mm)	9.18" (233mm)	9.48" (241mm)	2.14" (54mm)	12.52" (318mm)		

The use of the Stabilizer Adapter with 10" SASM1050G and 12" SASM1250G Saddles is suggested for additional support.

The Ideal Pipe Saddle/Shield to Protect Insulated Pipes

Snap-A-Saddle Pro Multi™



Snap-A-Cover™



SnapShock™



Snap-A-Clip™



Plumbing | Mechanical | Refrigeration | HVAC