



WESANCO

ZSI

SNAP-A-BOX

SNAP IN RACEWAY ELECTRICAL BOX



Quickly Attaches to Strut

- No Bolts or Channel Nuts Required
- Snaps Quickly and Easily Into Channel
- Internal Slot, Rounded Edges to Avoid Wire Damage
- Includes Duplex Cover Plate
- Includes #10-32 Tapped Hole for Grounding Strap
- Knock-out Holes for Conduit Attachment

Solutions for Electrical Contractors

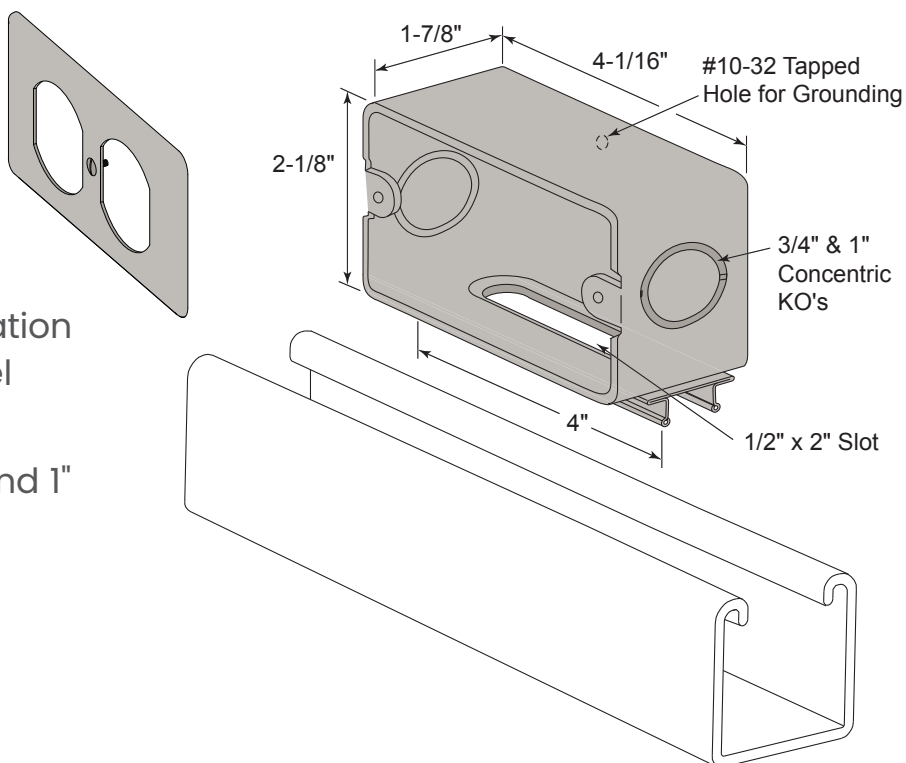
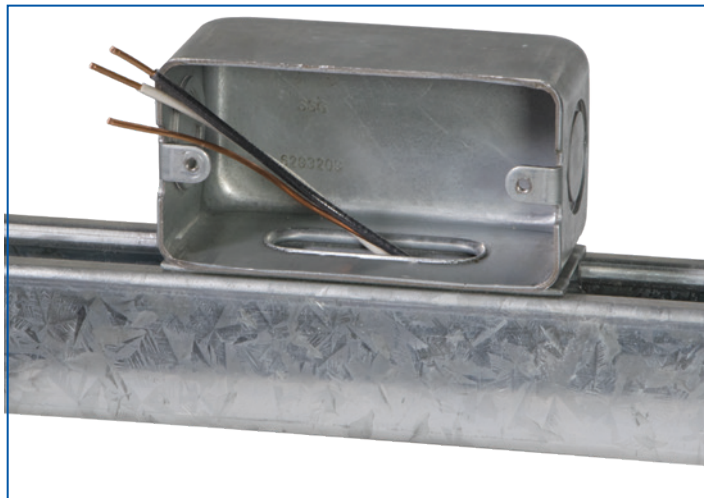


Wesanco-ZSi.com | 800-323-7053

ZSi & Wesanco are part of the Ideal Tridon Group. Learn more at idealtridongroup.com



Electrical Contractors | General Contractors



- Requires Ground Wire Installation for Use with UL Listed Channel Raceway System
- Concentric Knock-Outs $\frac{3}{4}$ " and 1"
- Electro-Galvanized Finish