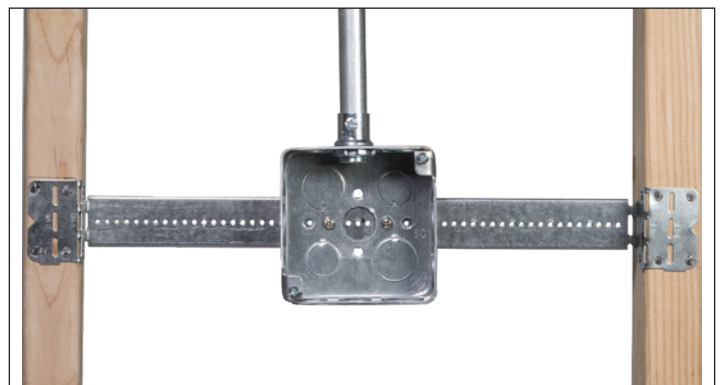
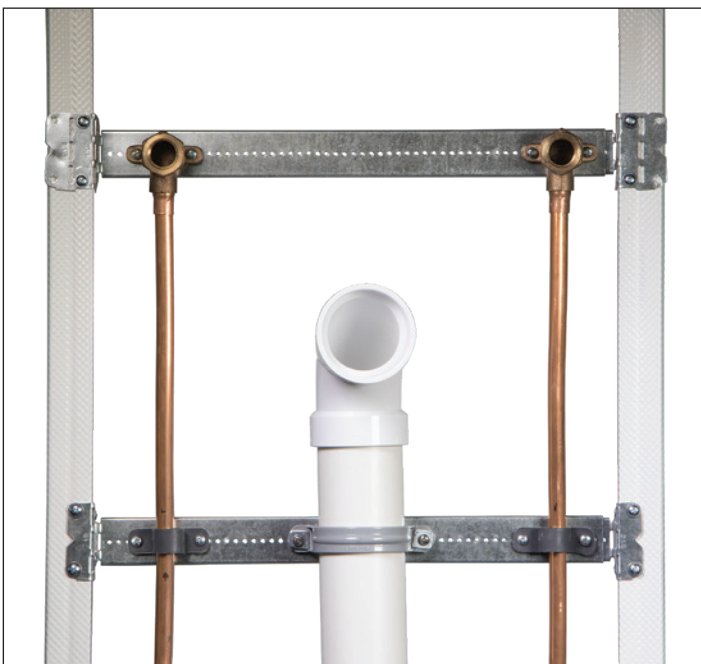




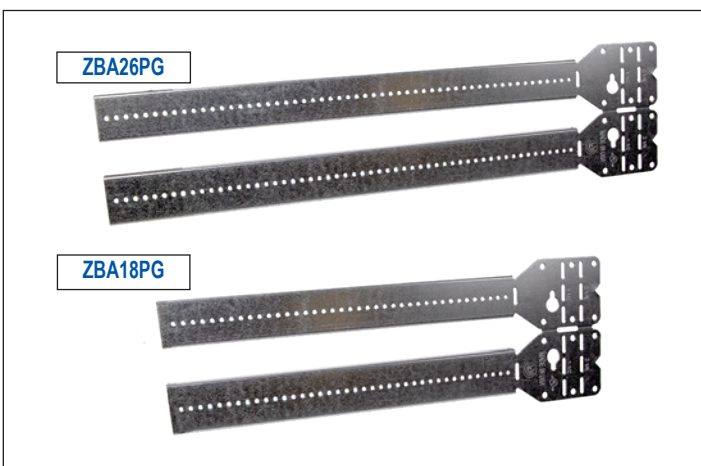
Z-BRACKET

EASY WIDTH ADJUSTMENT



Versatile Support Solutions

- Pre-galvanized Standard Finish
- Wet or Dry Applications
- 100% Manufactured in the USA
- U.S. UL Listed for Wood and Metal Studs
- UL Listed for Wood Studs in Canada
- Adjusts to Fit Common and Non-standard Stud Spacing

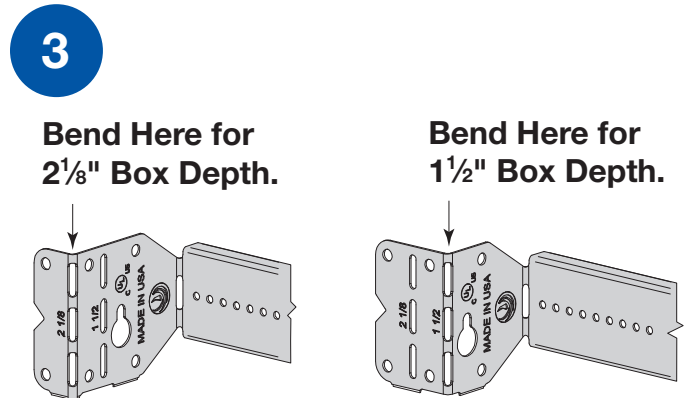
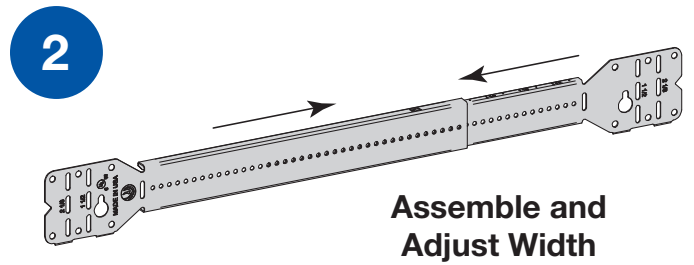
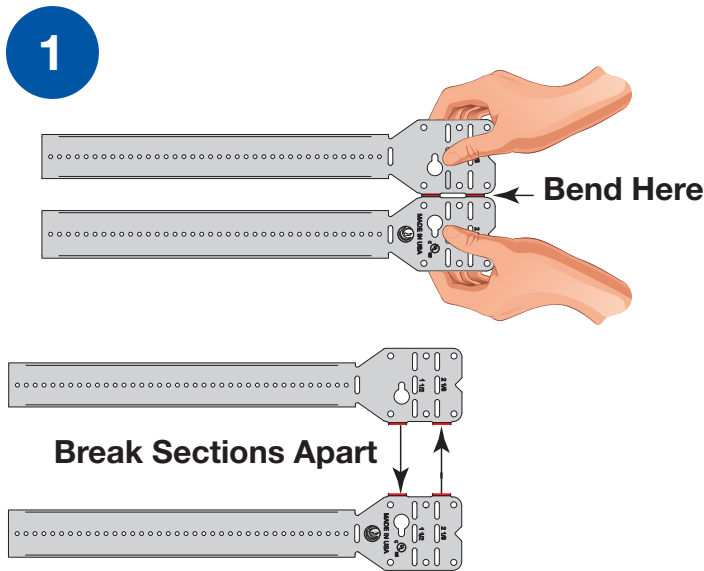


Catalog Number	Stud Centers	Distance Between Studs	Box Depth
ZBA18PG	11" to 18"	9¾" to 16¾"	1½" or 2⅛"
ZBA26PG	16" to 26"	14" to 25¼"	1½" or 2⅛"

Wesanco-ZSi.com | 800-323-7053

ZSi & Wesanco are part of the Ideal Tridon Group. Learn more at idealtridongroup.com





METAL STUD INSTALLATION

Screw bracket to studs using STS8 screws. Position electrical box(es) or accessories on bracket and install with STS8 screws. Assemble box plaster ring(s). (far side support required for Canadian installations)

WOOD STUD INSTALLATION

Nail bracket to wood studs. Position electrical box(es) or accessories on bracket and install with STS8 screws. Assemble box plaster ring(s). (far side support required for Canadian installations)

