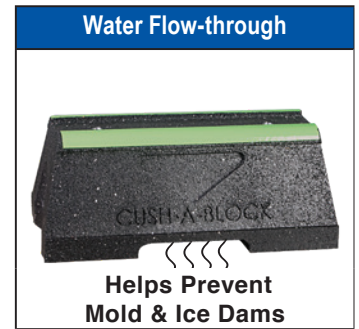


**CUSH-A-BLOCK®**

HVAC | PIPE & CONDUIT | SOLAR RACKING | ROOFTOP WALKWAYS



**Green Product - Not Just Because of its Color**



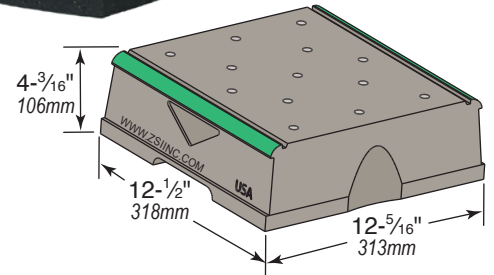
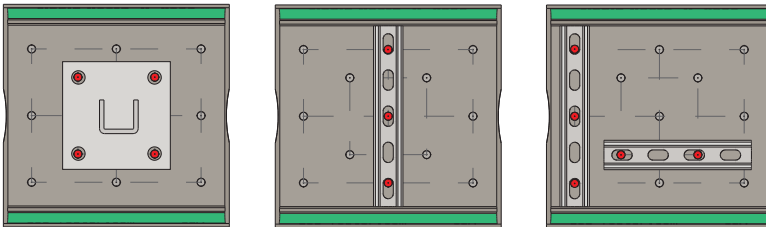
- 100% Recycled Rubber Qualifies for LEED Credits
- Meets the Buy America Act and ARRA
- Resistant to Freeze and Thaw
- Dampens Vibrations
- Compatible with Most Rooftop Materials
- Eco-Green Reflective Safety Strip Won't Peel

**Cush-a-Block Biggie - CBB Series**

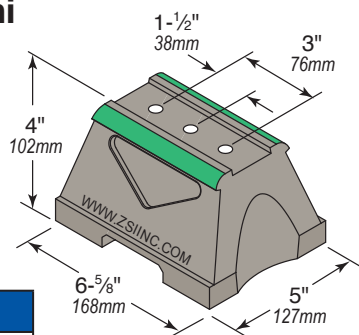
Part No.	Uniform Load
<b>CBB</b>	7,500 lbs (33.36 kN)



Spacing of embedded fasteners allow direct attachment of strut fittings and channel to the Biggie Block

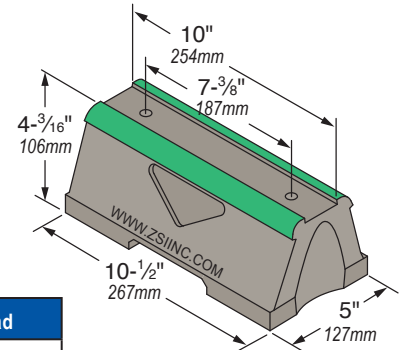
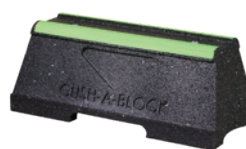


**Cush-a-Block Mini CBM Series**



Part No.	Uniform Load
<b>CBM</b>	400lbs (1.78 kN)

**Cush-a-Block CBN Series**



Part No.	Uniform Load
<b>CBN</b>	2,500 lbs (11.12 kN)



## CBN Series

Support With  
Metal Channel



Shown with 1<sup>3</sup>/<sub>16</sub>" Strut

Part No.			No. of Bases	Strut Length	Uniform Load Lbs (kN)*
1 <sup>3</sup> / <sub>16</sub> " (21mm) Channel	1 <sup>5</sup> / <sub>8</sub> " (41mm) Channel	2 <sup>7</sup> / <sub>16</sub> " (62mm) Channel			
CBN1S	CBN1D	CBN1RD	1	10" (254mm)	2,500 * (11.12 kN)
CBN2S	CBN2D	CBN2RD	2	22" (559mm)	5,000 * (22.24 kN)
CBN3S	CBN3D	CBN3RD	3	34" (864mm)	7,500 * (33.36 kN)
CBN4S	CBN4D	CBN4RD	4	46" (1.17m)	10,000 * (44.48 kN)

## CBN-PRB Series

Support With Pipe Roller &  
1<sup>5</sup>/<sub>8</sub>" (41mm) Channel



Part No.	Roller Pipe (O.D.)	Height	Uniform Load
CBNPRB	1" to 18"	8.707" (221mm) - 16.904" (429mm)	2,500 lbs* (11.12 kN)

See engineering catalog for pipe size and height information.

## CBN-BR Bridge Series

Support with 1-<sup>5</sup>/<sub>8</sub>" (41mm) Channel



Part No.	Strut Length	Uniform Load
CBN28BR	28" (711mm)	1,491 lbs * (6.63 kN)
CBN36BR	36" (914mm)	1,160 lbs* (5.15 kN)
CBN42BR	42" (1m)	994 lbs* (4.42 kN)
CBN50BR	50" (1.2m)	835 lbs* (3.71 kN)
CBN60BR	60" (1.5m)	696 lbs* (3.09 kN)

## CBN-EX Extension Series

Support with <sup>3</sup>/<sub>8</sub>" Threaded Rod Extension and Raised Channel



Part No.	Height	Strut Size	Uniform Load
CBN8EX	8" (203mm)	1 <sup>3</sup> / <sub>16</sub> " (21mm)	1,000 lbs * (4.44 kN)
CBN12EX	12" (305mm)		1,000 lbs * (4.44 kN)
CBN16EX	16" (406mm) 2 Bases	1 <sup>5</sup> / <sub>8</sub> " (41mm)	2,000 lbs * (8.89 kN)

## CBN-RB Raised Bridge Series

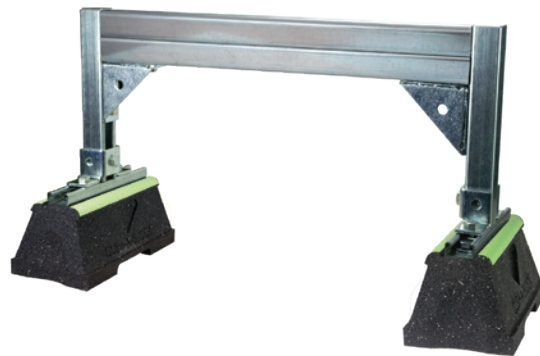
Raised Bridge Medium Support with 2 CBN Bases  
& 1-<sup>5</sup>/<sub>8</sub>" (41mm) Channel



Part No.	Total Width	Strut Width	Uniform Load
CBN1RB	18.65" (474mm)	12" (305mm)	3,000 lbs* (13.34 kN)
CBN2RB	30.65" (779mm)	24" (610mm)	1,500 lbs* (6.67 kN)

## CBN-RB Raised Bridge Series

Raised Bridge Heavy Support with 2 CBN Bases  
& 3-<sup>1</sup>/<sub>4</sub>" (83mm) Back-to-Back Channel



Part No.	Strut Width	Uniform Load
CBN3RB	24" (610mm)	2,500 lbs* (15.56 kN)
CBN4RB	36" (914mm)	2,500 lbs* (14.45 kN)

\* This load is only for the capacity of the components in this assembly. Please consult roofing manufacturer or engineer for roof load capacity.

## CBN-DS Adjustable Duct Series

Adjustable Width and Height Duct Support with 1-5/8" (41mm) Channel

Part No.	Width		Height	Uniform Load at Min. Width *
	Min.	Max.		
CBN1DS	19 1/4" (489mm)	26 3/4" (679mm)	28.813" (732mm)	1,909 lbs* (8.49 kN)
CBN2DS	24 7/8" (632mm)	39 7/8" (1m)		1,477 lbs* (6.57 kN)
CBN3DS	38" (987mm)	62 3/8" (1.6m)		967 lbs* (4.30 kN)
CBN4DS	62 3/8" (1.6m)	103 5/8" (2.6m)		589 lbs* (2.62 kN)
CBN5DS	19 1/4" (489mm)	26 3/4" (679mm)	36" (914mm)	1,909 lbs* (8.49 kN)
CBN6DS	24 7/8" (632mm)	39 7/8" (1m)		1,477 lbs* (6.57 kN)
CBN7DS	38" (987mm)	62 3/8" (1.6m)		967 lbs* (4.30 kN)
CBN8DS	62 3/8" (1.6m)	103 5/8" (2.6m)		589 lbs* (2.62 kN)



## CBN-DSFW Fixed Duct Series

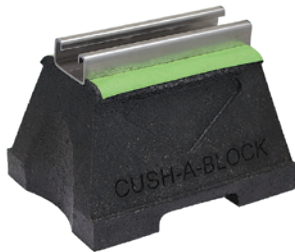
Fixed Width Duct Support with 1-5/8" (41mm) Channel



Part No.	Height	Width	Base Length	No. of Bases	Uniform Load Capacity Lbs(kN) *
CBN1-DSFW	23" (584mm)	18" (457mm)	24" (610mm)	4	2042 * (9.08 kN)
CBN2-DSFW		24" (610mm)			1531 * (6.81 kN)
CBN3-DSFW		36" (914mm)			1021 * (4.54 kN)
CBN4-DSFW		48" (1.2m)			766 * (3.40 kN)
CBN5-DSFW	29" (737mm)	18" (457mm)	24" (610mm)	4	2042 * (9.08 kN)
CBN6-DSFW		24" (610mm)			1531 * (6.81 kN)
CBN7-DSFW		36" (914mm)			1021 * (4.54 kN)
CBN8-DSFW		48" (1.2m)			766 * (3.40 kN)
CBN9-DSFW	41" (1m)	18" (457mm)	24" (610mm)	4	2042 * (9.08 kN)
CBN10-DSFW		24" (610mm)			1531 * (6.81 kN)
CBN11-DSFW		36" (914mm)			1021 * (4.54 kN)
CBN12-DSFW		48" (1.2m)			766 * (3.40 kN)
CBN13-DSFW	53" (1.3m)	18" (457mm)	36" (914mm)	6	2042 * (9.08 kN)
CBN14-DSFW		24" (610mm)			1531 * (6.81 kN)
CBN15-DSFW		36" (914mm)			1021 * (4.54 kN)
CBN16-DSFW		48" (1.2m)			766 * (3.40 kN)

## CBM Mini Series

Support With Metal Channel



Part No.		Uniform Load
1 3/8" (21mm) Channel	1 5/8" (41mm) Channel	
CBM1S	CBM1D	400 lbs * (1.78 kN)

## CBM Mini REX Series

Support With Raised 1-5/8" (41mm) Channel

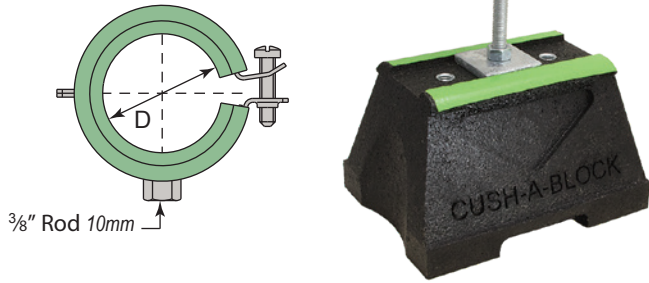


Part No.	Height	Uniform Load
CBM10REX	10" (254mm)	175 lbs * (0.78 kN)
CBM12REX	12" (305mm)	

\* This load is only for the capacity of the components in this assembly. Please consult roofing manufacturer or engineer for roof load capacity.

## CBMPP Mini Series

Support With Raised SPP Cush-A-Ring Clamp for PEX, CPVC, or PVC Pipe



Part No.	D (mm)	PVC / CPVC	PEX	Load Capacity
CBMPP2	0.591" - 0.709" (15 - 18mm)	3/8"	1/2"	125 lbs* (0.56 kN)
CBMPP3	0.787" - 0.906" (20 - 23mm)	1/2"	3/4"	
CBMPP4	0.984" - 1.102" (25 - 28mm)	3/4"	1"	
CBMPP5	1.22" - 1.378" (31 - 35mm)	1"	1 1/4"	
CBMPP6	1.575" - 1.693" (40 - 43mm)	1 1/4"	1 1/2"	
CBMPP7	1.89" - 2.087" (48 - 53mm)	1 1/2"	-	
CBMPP8	2.126" - 2.205" (54 - 56mm)	-	2"	
CBMPP9	2.362" - 2.559" (60 - 65mm)	2"	-	
CBMPP10	2.756" - 2.992" (70 - 76mm)	2 1/2"	-	
CBMPP11	3.386" - 3.583" (86 - 91mm)	3"	-	
CBMPP12	4.331" - 4.488" (110 - 114mm)	4"	-	

## CBMTRH Series

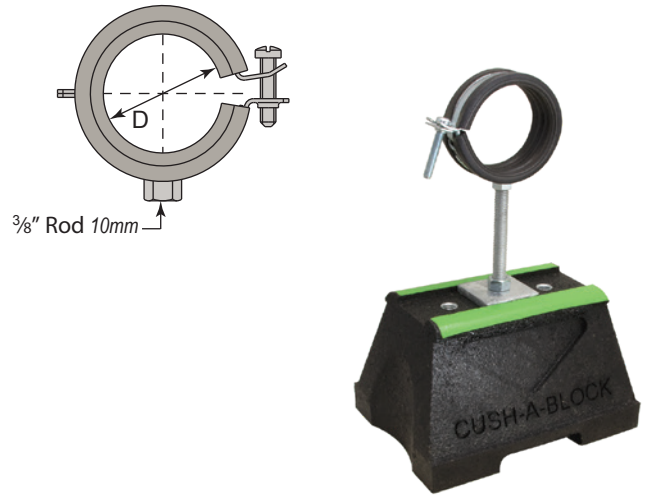
Support with Raised TRH Hanger System for Cable runs or Insulated Flow and Return Lines

Part No.	Flow & Return Pipe Pairs	Uniform Load Lbs (kN) *
CBMTRH2	3/8" Liquid & 5/8" Gas	175 (0.78 kN)
CBMTRH3	1/2" Liquid & 7/8" Gas	
CBMTRH4	5/8" Liquid & 1-1/8" Gas	
CBMTRH5	---	



## CBMPH Mini Series

Support With Raised SPH Cush-A-Ring Clamp for Copper Tube or Steel Tube or Pipe

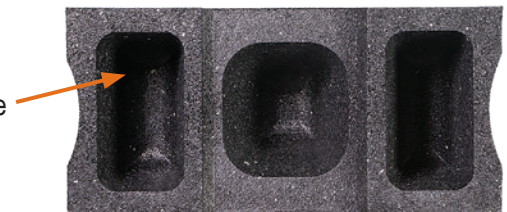


Part No.	D	IP	CT	Uniform Load
CBMPH1	0.433" - 0.551" (11 - 14mm)	1/4"	3/8"	125 lbs* (0.56 kN)
CBMPH2	0.591" - 0.709" (15 - 18mm)	3/8"	1/2"	
CBMPH3	0.787" - 0.906" (20 - 23mm)	1/2"	3/4"	
CBMPH4	0.984" - 1.102" (25 - 28mm)	3/4"	1"	
CBMPH5	1.22" - 1.378" (31 - 35mm)	1"	1 1/4"	
CBMPH6	1.575" - 1.693" (40 - 43mm)	1 1/4"	1 1/2"	
CBMPH7	1.89" - 2.087" (48 - 53mm)	1 1/2"	-	
CBMPH8	2.126" - 2.205" (54 - 56mm)	-	2"	
CBMPH9	2.244" - 2.48" (57 - 63mm)	2"	-	
CBMPH10	2.52" - 2.756" (64 - 70mm)	-	2 1/2"	
CBMPH11	2.874" - 3.15" (73 - 80mm)	2 1/2"	3"	
CBMPH12	3.268" - 3.583" (83 - 91mm)	3"	-	
CBMPH13	3.937" - 4.134" (100 - 105 mm)	-	4"	
CBMPH14	4.252" - 4.488" (108 - 114mm)	4"	-	

# HVAC | Pipe & Conduit | Solar Racking | Rooftop Walkways

The channel for Cush-A-Block support assemblies includes a variety of options. The strut can be made in special lengths, finishes, and alloys including Aluminum, Stainless Steel both 304 & 316, PVC coated, Powder coated, Zinc Trivalent Chromium, Pre-Galvanized and Hot Dipped Galvanized.

Embedded nut eliminates any thru holes and prevents leaks or any rust from forming on the underside of the fastener.



ZSIINC.COM | 800-323-7053

ZSi & Wesanco are part of the Ideal Tridon Group. Learn more at [idealtridongroup.com](http://idealtridongroup.com)

© Copyright 2024 Ideal Tridon Group / Printed & Designed in the USA / 06-24

